



MIL-C-5015 INSERT ARRANGEMENTS PER MIL STD 1651 A AND OTHER APPLICATION SPECIFIC ARRANGMENTS											
MIL STD 1651	TOTAL CONTACTS	CONTACT SIZES					ALTERNATE POLARIZATIONS IN DEGREES				SERVICE RATING
		16	12	8	4	0	W	X	Y	Z	
8S-1	1	1									A
10S-2	1	1									A
10SL-3	3	3									A
10SL-4	2	2									A
12S-3	2	2					70	145	215	290	A
14S-2	4	4						120	240		I
14-3	1			1							A
14S-4	1	1									O
14S-5	5	5						110			I
14S-6	6	6									I
14S-7	3	3						90	180	270	A
14S-9	2	2					70	145	215	290	A
16S-1	7	7					80			280	A
16S-3	1	1									B
16S-4	2	2					35	110	250	325	D
16S-5	3	3					70	145	215	290	A
16S-6	3	3					90	180	270		A
16S-8	5	5						170	265		A
16-9	4	2	2				35	110	250	325	A
16-10	3		3				90	180	270		A
16-11	2		2				35	110	250	325	A
16-12	1				1						A
16-13	2	2					THERMOCOUPLE				A
18-1	10	10					70	145	215	290	B,C,F,G,=ABA L-I
18-3	2		2				35	110	250	325	D
18-4	4	4					35	110	250	325	D
18-5	3	1	2				80	110	250	280	D
18-6	1				1						D
18-7	1			1							B
18-8	8	7	1				70			290	A
18-9	7	5	2				80	110	250	280	I
18-10	4		4					120	240		A
18-11	5		5					170	265		A
18-12	6	6					80			280	A
18-19											
18-20	5	5					90	180	270		A
18-22	3	3					70	145	215	290	D
20-3	3		3				70	145	215	290	D
20-4	4		4				45	110	250		D
20-6	3	3					70	145	215	290	D
20-7	8	8					80	110	250	280	A,B,G,H=D BAL=A
20-8	6	4		2			80	110	250	280	I
20-11	13	13									I



MIL-C-5015 INSERT ARRANGEMENTS PER MIL STD 1651 A AND OTHER APPLICATION SPECIFIC ARRANGEMENTS												
MIL STD 1651	TOTAL CONTACTS	CONTACT SIZES					ALTERNATE POLARIZATIONS IN DEGREES				SERVICE RATING	
		16	12	8	4	0	W	X	Y	Z		
20-15	7		7				80				280	A
20-18	9	6	3				35	110	250	325		A
20-19	3			3			90	180	270			A
20-22	6	3		3			80	110	250	280		A
20-23	2			2			35	110	250	325		A
20-27	14	14					35	110	250	325		A
20-29	17	17					80				280	A
20-33	11	11										A
22-2	3			3			70	145	215	290		D
22-9	3		3				70	145	215	290		E
22-10	4	4					35	110	250	325		E
22-12	5	3		2			80	110	250	280		D
22-14	19	19					80	110	250	280		A
22-18	8	8					80	110	250	280		C,D,E=A BAL=D
22-19	14	14					80	110	250	280		A
22-22	4			4				110	250			A
22-23	8		8				35	110	250			H=D BAL=A
22-27	9	8		1			80		250	280		A
22-28	7		7				80		280			A
22-33	7	7					80	110	250	280		E,F,G=A BAL=D
24-2	7		7				80			280		D
24-5	16	16					80	110	250	280		A
24-6	8		8				80	110	250	280		A,G,H=D BAL=A
24-7	16	14	2				80	110	250	280		A
24-9	2				2		35	110	250	325		A
24-10	7			7			80			280		A
24-11	9		6	3			35	110	250	325		A
24-12	5		3		2		80	110	250	280		A
24-18	4	4										
24-22	4			4			45	110	250			D
24-27	7	7					80			280		E
24-28	24	24					80	110	250	280		I
24-80	23	23					35	145	240	300		I
28-2	14	12	2				35	110	250	280		D
28-6	3				3		70	145	215	290		D
28-9	12	6	6				80	110	250	280		D
28-10	7		3	2	2		80	110	250	280		G=D BAL=A
28-11	22	18	4				80	180	250	280		A
28-12	26	26					90	180	270			A
28-15	35	35					80	110	250	280		A
28A-16 !	9	5			4							A
28-16	20	20					80	110	250	280		A
28-17	15	15					80	110	250	280		R=B M,N,P=D BAL=A



MIL-C-5015 INSERT ARRANGEMENTS PER MIL STD 1651 A AND OTHER APPLICATION SPECIFIC ARRANGMENTS												
MIL STD 1651	TOTAL CONTACTS	CONTACT SIZES					ALTERNATE POLARIZATIONS IN DEGREES				SERVICE RATING	
		16	12	8	4	0	W	X	Y	Z		
28-18	12	12					70	145	215	290	M=C A,B=A C,D,E,F=I BAL D	
28-20	14	4	10				80	110	250	280	A	
28-21	37	37					80	110	215	280	A	
28-22	6	3			3		70	145	250	290	D	
32-7	35	28	7				80	110	250	280	A,B,h,j=I BAL=A	
32-8	30	24	6				80	110	250	280	A	
32-17	4				4		45	110	250		D	
32-22	54	54					80	110	250	280	A	
32-73	46	46					36					
36-5	4					4		120	240		A	
36-6	6				4	2	35	110	250	235	A	
36-8	47	46	1				80	110	250	280	A	
36-9	31	14	14	2	1		80	125	235	280	A	
36-10	48	48					80	125	235	280	A	
36-15	35	35					60	125	245	305	M=D BAL=A	
36-66	56	52	4				80	130	260	310	A	
40-1	30	24	6				65	130	235	300	D	
40-2	23	23					80	110	250	280	A,B,C,D,E=B BAL=D	
40-3	23	18	4		1		80	110	250	280	D	
40-4	23	16	2	3	2		80	110	250	280	D	
40-5	15		6	4	2	3	80	110	250	280	A	
40-6	26	24	1			1	80	110	250	280	D	
40-7	22	18	2			2	80	110	250	280	W,X,U,V,P,Q= A BAL=D	
40-9	47	24	22	1			65	125	225	310	A	
40-10	29	16		9	4		65	125	225	310	A	
40-11	25	18	4	1	1	1	80	110	250	280	D	
40-12	29	22	6			1					D	
40-13	23						POSITION 12 OF 40-2				A,B,C,D,E=B AL=D	
40-14	32	21	10			1					D	
40-15	60	57	3 8 AWG SHIELDED									INST
40-56	85	85					72	144	216	288	A	
40-62	60	60					30	130	220	290	A	
44-1	42	36	6				65	125	225	310	D	
44-2	31	14	14	2	1		65	125	225	310	D	
44-3	31	24	3	2	2		65	125	225	310	D	
44-4	41	31	8				65	125	225	310	D	
44-5	42						POSITION #12 OF 44-1				D	
44-6	42						POSITION #13 OF 44-1				D	
44-52	104	104					72	135	225	288	A	
48-1	15		6	4	2	3	65	125	225	310	B,N=E AL=D	

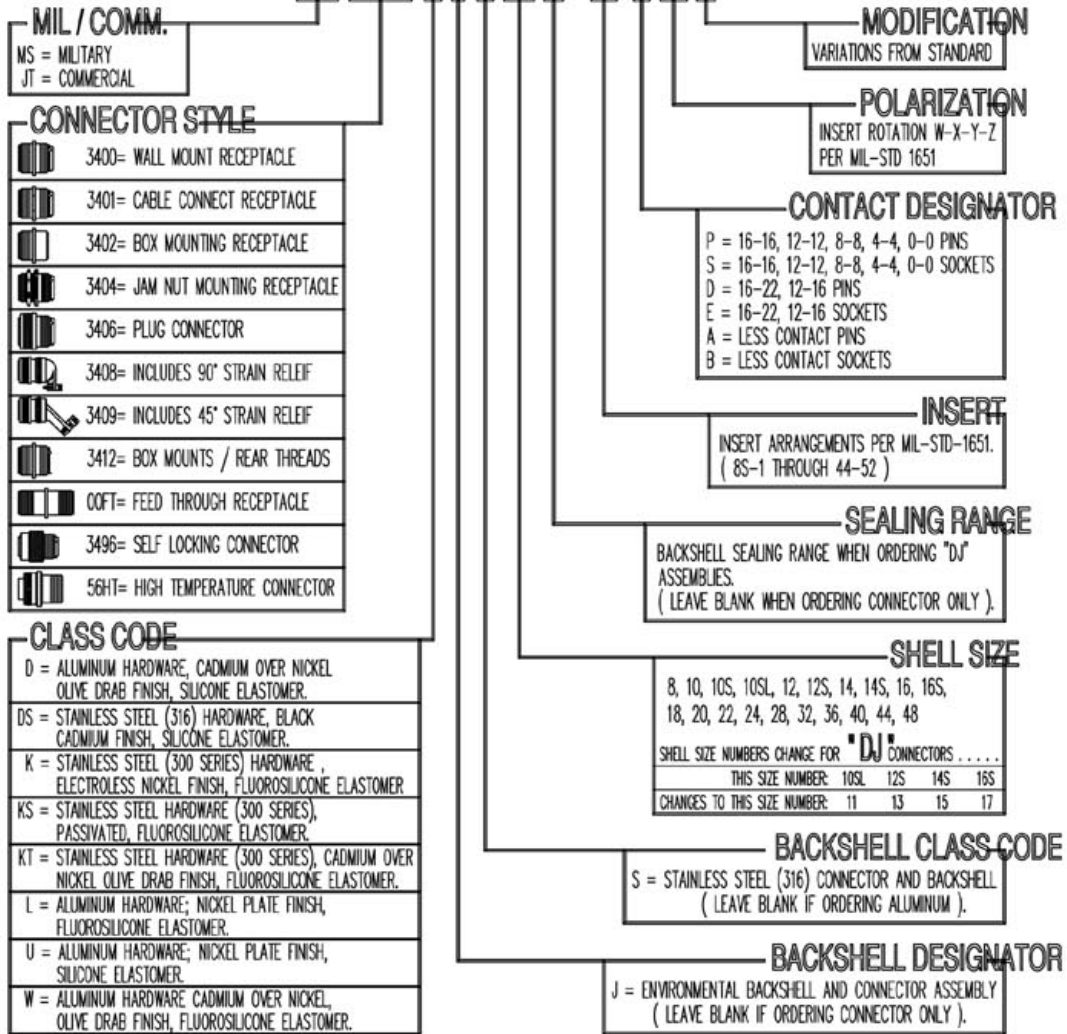


MIL-C-5015 INSERT ARRANGEMENTS PER MIL STD 1651 A AND OTHER APPLICATION SPECIFIC ARRANGMENTS											
MIL STD 1651	TOTAL CONTACTS	CONTACT SIZES					ALTERNATE POLARIZITIONS IN DEGREES				SERVICE RATING
		16	12	8	4	0	W	X	Y	Z	
48-2	47	46	1				65	125	225	310	
48-3	25	18	1	3		3	65	125	225	310	D
48-4	68	47	16		3	2	65	125	225	310	AJ,AK,AL,AV, AW=D BAL=A
48-5	100	90	9	1			65	125	225	310	A
48-62	85	85					72	144	216	288	D



# ORDERING INFORMATION

## MS 3406 D J S 28 A - 21 P\*W





# GENERAL PERFORMANCE

( WHEN TESTED TO MIL-C-5015 REQUIREMENTS )

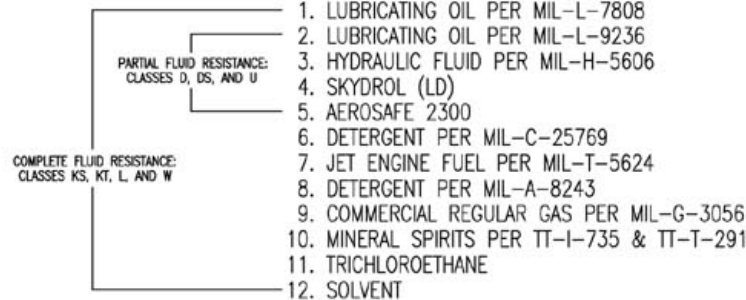
**OPERATING TEMPERATURE:** -55° TO +200° (-67° TO + 392°F)

**ENVIRONMENTAL:** MEETS THE WATER PRESSURE REQUIREMENTS OF MIL-C-5015: MAINTAINS INSULATION RESISTANCE OF GREATER THAN 100 MEGohmS AFTER IMMERSION IN A 6" WATERHEAD FOR 48 HOURS

**DURABILITY:** MEETS THE MATING AND UNMATING PARAMETERS OF MIL-C-5015 MECHANICALLY AND ELECTRICALLY FUNCTIONAL AFTER 500 COUPLING AND UNCOUPLING CYCLES.

**SHOCK:** HIGH IMPACT SHOCK IN ACCORDANCE WITH MIL-S-901 GRADE A. MIL-STD-202, METHOD 214, COND 11 LTR J, 125°C TO 55°C.

**FLUID RESISTANCE:** FLUID RESISTANCE TO 12 BASIC FLUIDS INCLUDING:



**VIBRATION:** MEETS THE VIBRATION REQUIREMENTS OF MIL-C-5015

**HELL TO SHELL CONDUCTIVITY:** .05 ohm MAXIMUM FOR CLASS D  
.05 ohm MAXIMUM FOR ALL OTHER CLASSES.

**CORROSION RESISTANCE:** PERFORMANCE MEETS OR EXCEEDS SALT SPRAY TEST REQUIREMENTS FOR 48 HOURS EXPOSURE (CLASS L & W). ALL J-TECH CLASS "D" CONNECTORS WILL EXCEED THE SALT SPRAY REQUIREMENT TO 500 HOURS EXPOSURE. CLASS "D" CONNECTORS ARE AVAILABLE WITH 1000 HOUR CORROSION RESISTANCE.



# GENERAL PERFORMANCE

( WHEN TESTED TO MIL-C-5015 REQUIREMENTS )

VOLTAGE RATING							
ALTITUDE		SERVICE RATING					
FEET	M	INST	A	D	E	B	C
SEA LEVEL	—	1000	2000	2800	3500	4500	7000
70,000	21,326	260	360	400	440	480	560

# CONTACT CURRENT RATING AND RETENTION


CONTACT SIZE	CURRENT RATING AMPERE MAX	CONTACT RESISTANCE* VOLTAGE DROP MILLIVOLTS	CONTACT RETENTION AXIAL LOAD			
			CLASS D		ALL OTHER CLASSES	
			LBS.	NEWTONS	LBS.	NEWTONS
16	13	45	50	222.4	25	111.2
12	23	38	50	222.4	30	133.4
8	46	24	80	355.84	50	222.4
4	80	21	100	444.8	60	266.9
0	150	19	100	444.8	75	333.6

\* CONTACT RESISTANCE WITH SILVER PLATED WIRE @ 25°C.

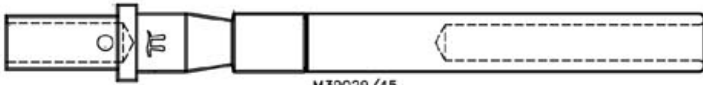
HIGH POTENTIAL TEST VOLTAGE				
MS SERVICE RATING	SUGGESTED OPERATING VOLTAGES		AIR SPACING NOM. INCHES	CREPAGE DISTANCE NOM. INCHES
	DC	AC(rms)		
INST.	250	200	—	1/16
A	700	500	1/16	1/8
D	1250	900	1/8	3/16
E	1750	1250	3/16	1/4
B	2450	1750	1/4	5/16
C	4200	3000	5/16	1



## PIN CONTACTS

 M39029/44							
CONTACT SIZE	WIRE SIZE	WIRE AWG	MIL-C-39029 PART NUMBER	J-TECH PART NUMBER	COLOR CODE		
					FIRST	SECOND	THIRD
16	22	22,24,26	M39029/44-287	511-110-1622	RED	GRAY	VIOLET
16	16	16,18,20	M39029/44-288	511-110-1616	RED	GRAY	GRAY
12	16	16,18,20	M39029/44-289	511-220-1216	RED	GRAY	WHITE
12	12	12,14,16	M39029/44-290	511-220-1212	RED	WHITE	BLACK
8	8	8,10	M39029/44-291	511-220-0808	RED	WHITE	BROWN
4	4	4,6	M39029/44-292	511-220-0404	RED	WHITE	RED
0	0	0,2	M39029/44-293	511-320-0101	RED	WHITE	ORANGE

## SOCKET CONTACTS

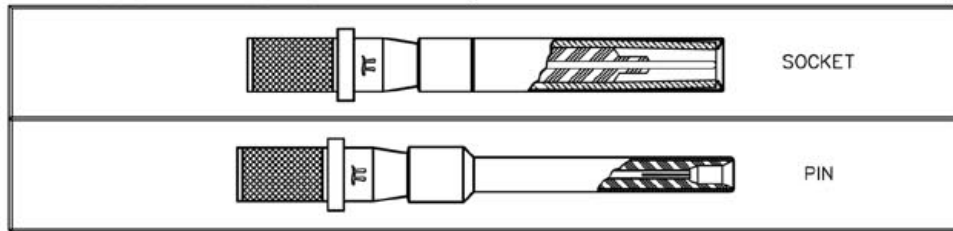
 M39029/45							
CONTACT SIZE	WIRE SIZE	WIRE AWG	MIL-C-39029 PART NUMBER	J-TECH PART NUMBER	COLOR CODE		
					FIRST	SECOND	THIRD
16	22	22,24,26	M39029/45-294	512-110-1622	RED	WHITE	YELLOW
16	16	16,18,20	M39029/45-295	512-110-1616	RED	WHITE	GREEN
12	16	16,18,20	M39029/45-296	512-220-1216	RED	WHITE	BLUE
12	12	12,14,16	M39029/45-297	512-220-1212	RED	WHITE	VIOLET
8	8	8,10	M39029/45-298	512-220-0808	RED	WHITE	GRAY
4	4	4,6	M39029/45-299	512-220-0404	RED	WHITE	WHITE
0	0	0,2	M39029/45-300	512-320-0101	ORANGE	BLACK	BLACK





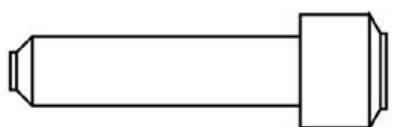
## COAX CONTACTS

(CONSULT FACTORY FOR SIZES AND AVAILABILITY)



## SEALING PLUGS

CONTACT SIZE	SEALING PLUGS	
	MILITARY P/N	J-TECH P/N
16S	MS27488-16	022-001-0016
16	MS27488-16	022-001-0016
12	MS27488-12	022-001-0012
8	MS27488-8	022-001-0008
4	MS27488-4	022-001-0004
0	MS27488-0	022-001-0001



## TOOLS

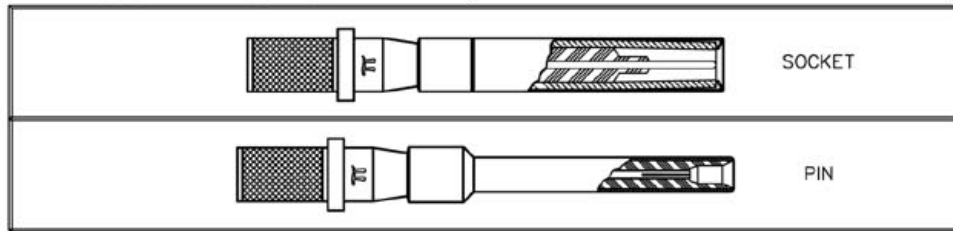
CONTACT SIZE	MS INSERTION TOOL	MS EXTRACTION TOOL	MS CRIMP TOOL	
			FRAME	POSITIONER
16	M81969/17-01	M81969/19-01	M22520/1-01	M22520/1-02
12	M81969/17-02	M81969/19-02	M22520/1-01	M22520/1-02
8*	M81969/17-06	M81969/19-03	M22520/23-02	M22520/23-09
4*	M81969/17-07	M81969/19-04	M22520/23-04	M22520/23-11
0*	M81969/17-08	M81969/19-05	M22520/23-05	M22520/23-13

\* USE M22520/23-01 POWER CRIMP TOOLS FOR SIZE 8, 4, AND 0 CONTACTS.



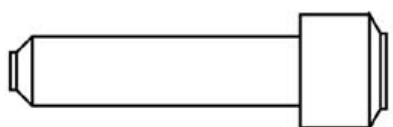
## COAX CONTACTS

(CONSULT FACTORY FOR SIZES AND AVAILABILITY)



## SEALING PLUGS

CONTACT SIZE	SEALING PLUGS	
	MILITARY P/N	J-TECH P/N
16S	MS27488-16	022-001-0016
16	MS27488-16	022-001-0016
12	MS27488-12	022-001-0012
8	MS27488-8	022-001-0008
4	MS27488-4	022-001-0004
0	MS27488-0	022-001-0001



## TOOLS

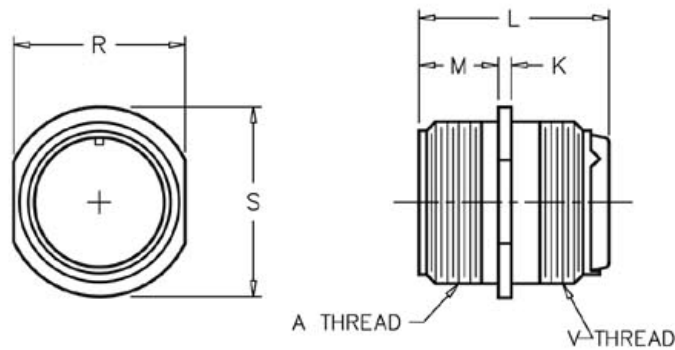
CONTACT SIZE	MS INSERTION TOOL	MS EXTRACTION TOOL	MS CRIMP TOOL	
			FRAME	POSITIONER
16	M81969/17-01	M81969/19-01	M22520/1-01	M22520/1-02
12	M81969/17-02	M81969/19-02	M22520/1-01	M22520/1-02
8*	M81969/17-06	M81969/19-03	M22520/23-02	M22520/23-09
4*	M81969/17-07	M81969/19-04	M22520/23-04	M22520/23-11
0*	M81969/17-08	M81969/19-05	M22520/23-05	M22520/23-13

\* USE M22520/23-01 POWER CRIMP TOOLS FOR SIZE 8, 4, AND 0 CONTACTS.



# FRONT RELEASE MS3401

## CLASSES D, DS, L, U, AND W



RECEPTACLE, CABLE CONNECTING, FRONT RELEASE, CRIMP CONTACTS.  
DIMENSIONS SUBJECT TO CHANGE WITHOUT NOTICE. DIMENSIONS ARE IN INCHES

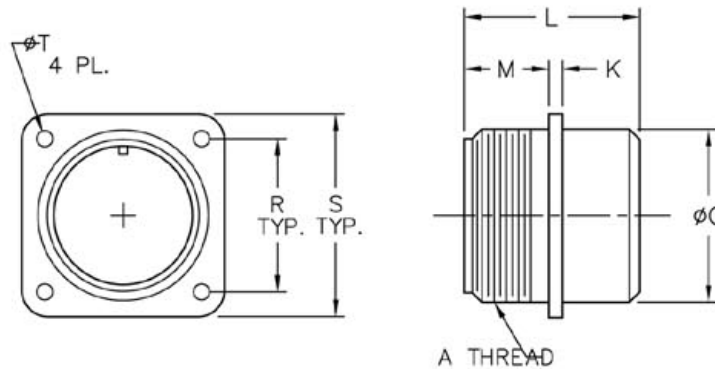
SHELL SIZE	A THREAD CLASS 2A	K ±.015	L * MAX.	M +.031 -.000	R ±.004	S ±.015	V THREAD CLASS 2A
10S	.625-24 UNEF	.083	1.925	.562	.625	.854	.625-24 UNEF
10SL	.625-24 UNEF	.083	1.925	.562	.625	.854	.625-24 UNEF
12S	.750-20 UNEF	.083	1.925	.562	.750	.974	.750-20 UNEF
12	.750-20 UNEF	.083	1.925	.750	.750	.974	.750-20 UNEF
14S	.875-20 UNEF	.083	1.925	.562	.875	1.099	.875-20 UNEF
14	.875-20 UNEF	.083	1.925	.750	.875	1.099	.875-20 UNEF
16S	1.000-20 UNEF	.083	1.925	.562	1.000	1.224	1.000-20 UNEF
16	1.000-20 UNEF	.083	1.925	.750	1.000	1.224	1.000-20 UNEF
18	1.125-18 UNEF	.125	1.925	.750	1.125	1.349	1.0625-18 UNEF
20	1.250-18 UNEF	.125	1.950	.750	1.250	1.474	1.1875-18 UNEF
22	1.375-18 UNEF	.125	1.950	.750	1.375	1.599	1.3125-18 UNEF
24	1.500-18 UNEF	.125	1.950	.812	1.500	1.715	1.4375-18 UNEF
28	1.750-18 UNS	.125	1.950	.812	1.750	1.974	1.750-18 UNS
32	2.000-18 UNS	.125	1.950	.875	2.000	2.224	2.000-18 UNS
36	2.250-16 UN	.125	1.950	.875	2.250	2.474	2.250-16 UN
40	2.500-16 UN	.125	1.950	.875	2.505	2.724	2.500-16 UN
44	2.750-16 UN	.125	1.950	.875	2.755	2.974	2.750-16 UN
48	3.000-16 UN	.125	1.950	.875	3.050	3.224	3.000-16 UN

\* ADD .435 FOR ARRANGEMENTS WITH SIZE 0 CONTACTS.



# FRONT RELEASE MS3402

## CLASSES D, DS, L, U, AND W



RECEPTACLE, BOX MOUNTING, FRONT RELEASE, CRIMP CONTACTS.  
 (NO ENVIRONMENTAL REAR SEAL OR REAR ACCESSORY THREADS).  
 DIMENSIONS SUBJECT TO CHANGE WITHOUT NOTICE. DIMENSIONS ARE IN INCHES

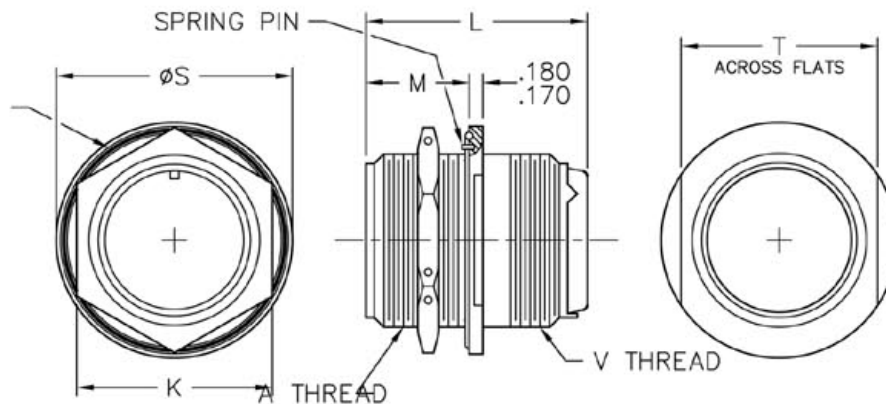
SHELL SIZE	A THREAD CLASS 2A	ØG MAX.	K ±.015	L * MAX.	M +.031 -.000	R ±.005	S ±.031	ØT +.010 -.005 CLASS L,L,W
10S	.625-24 UNEF	.625	.083	1.662	.562	.719	1.000	.120
10SL	.625-24 UNEF	.625	.083	1.662	.562	.719	1.000	.120
12S	.750-20 UNEF	.750	.083	1.662	.562	.812	1.094	.120
12	.750-20 UNEF	.750	.083	1.662	.750	.812	1.094	.120
14S	.875-20 UNEF	.875	.083	1.662	.562	.906	1.188	.120
14	.875-20 UNEF	.875	.083	1.662	.750	.906	1.188	.120
16S	1.000-20 UNEF	1.000	.083	1.662	.562	.969	1.281	.120
16	1.000-20 UNEF	1.000	.083	1.662	.750	.969	1.281	.120
18	1.125-18 UNEF	1.062	.125	1.662	.750	1.062	1.375	.120
20	1.250-18 UNEF	1.187	.125	1.662	.750	1.156	1.500	.120
22	1.375-18 UNEF	1.312	.125	1.662	.750	1.250	1.625	.120
24	1.500-18 UNEF	1.437	.125	1.662	.812	1.375	1.750	.147
28	1.750-18 UNS	1.750	.125	1.662	.812	1.562	2.000	.147
32	2.000-18 UNS	2.000	.125	1.662	.875	1.750	2.250	.173
36	2.250-16 UN	2.250	.125	1.662	.875	1.938	2.500	.173
40	2.500-16 UN	2.500	.125	1.662	.875	2.188	2.750	.173
44	2.750-16 UN	2.750	.125	1.662	.875	2.375	3.000	.173
48	3.000-16 UN	3.000	.125	1.662	.875	2.625	3.250	.173

\* ADD .275 FOR ARRANGEMENTS WITH SIZE 8, 4, OR 0 CONTACTS.



# FRONT RELEASE MS3404

## CLASSES D, DS, L, U, AND W



RECEPTACLE, JAM-NUT MOUNTING, FRONT RELEASE, CRIMP CONTACTS.  
DIMENSIONS SUBJECT TO CHANGE WITHOUT NOTICE. DIMENSIONS ARE IN INCHES

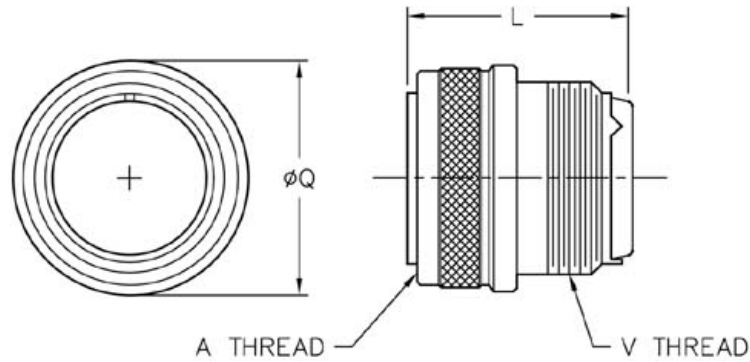
SHELL SIZE	A THREAD CLASS 2A	K ±.010	L * MAX.	M ±.005	ØS ±.005	T ±.005	V THREAD CLASS 2A
10S	.625-24 UNEF	.812	1.925	.720	1.193	.990	.625-24 UNEF
10SL	.625-24 UNEF	.812	1.925	.720	1.193	.990	.625-24 UNEF
12S	.750-20 UNEF	.937	1.925	.720	1.317	1.050	.750-20 UNEF
12	.750-20 UNEF	.937	1.925	.966	1.317	1.050	.750-20 UNEF
14S	.875-20 UNEF	1.062	1.925	.720	1.433	1.175	.875-20 UNEF
14	.875-20 UNEF	1.062	1.925	.966	1.433	1.175	.875-20 UNEF
16S	1.000-20 UNEF	1.187	1.925	.720	1.567	1.300	1.000-20 UNEF
16	1.000-20 UNEF	1.187	1.925	.966	1.567	1.300	1.000-20 UNEF
18	1.125-18 UNEF	1.312	1.925	.966	1.693	1.425	1.0625-18 UNEF
20	1.250-18 UNEF	1.437	1.950	.966	1.817	1.550	1.1875-18 UNEF
22	1.375-18 UNEF	1.562	1.950	.966	1.943	1.550	1.3125-18 UNEF
24	1.500-18 UNEF	1.687	1.950	.966	2.067	1.800	1.4375-18 UNEF
28	1.750-18 UNS	2.000	1.950	.966	2.317	1.925	1.750-18 UNS
32	2.000-18 UNS	2.250	1.950	.966	2.567	2.175	2.000-18 UNS
36	2.250-16 UN	2.500	1.950	.966	2.817	2.550	2.250-16 UN
40	2.500-16 UN	2.750	1.950	.966	3.061	2.800	2.500-16 UN
44	2.750-16 UN	3.000	1.950	.966	3.311	3.050	2.750-16 UN
48	3.000-16 UN	3.250	1.950	.966	3.561	3.300	3.000-16 UN

\* ADD .435 FOR ARRANGEMENTS WITH SIZE 0 CONTACTS.



# FRONT RELEASE MS3406

CLASSES D, DS, L, KS, KT, U, AND W



PLUG, FRONT RELEASE, CRIMP CONTACTS.  
DIMENSIONS SUBJECT TO CHANGE WITHOUT NOTICE.  
DIMENSIONS ARE IN INCHES.

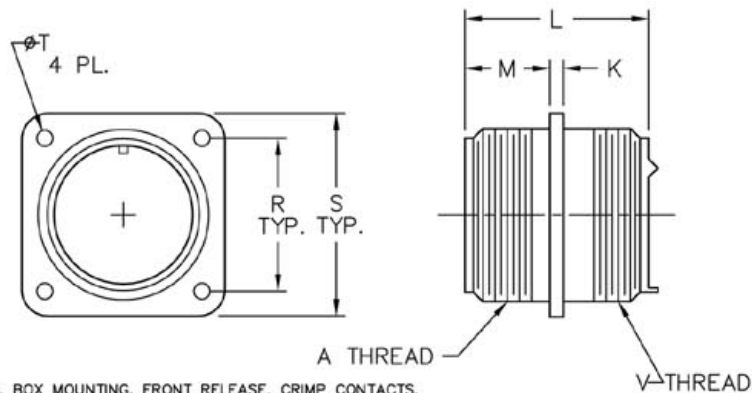
SHELL SIZE	A THREAD CLASS 2B	L * MAX.	$\phi Q$ MAX.	V THREAD CLASS 2A
10S	.625-24 UNEF	1.925	.969	.625-24 UNEF
10SL	.625-24 UNEF	1.925	.969	.625-24 UNEF
12S	.750-20 UNEF	1.925	1.062	.750-20 UNEF
12	.750-20 UNEF	1.925	1.062	.750-20 UNEF
14S	.875-20 UNEF	1.925	1.156	.875-20 UNEF
14	.875-20 UNEF	1.925	1.156	.875-20 UNEF
16S	1.000-20 UNEF	1.925	1.250	1.000-20 UNEF
16	1.000-20 UNEF	1.925	1.250	1.000-20 UNEF
18	1.125-18 UNEF	1.925	1.344	1.0625-18 UNEF
20	1.250-18 UNEF	1.950	1.469	1.1875-18 UNEF
22	1.375-18 UNEF	1.950	1.594	1.3125-18 UNEF
24	1.500-18 UNEF	1.950	1.719	1.4375-18 UNEF
28	1.750-18 UNS	1.950	1.969	1.750-18 UNS
32	2.000-18 UNS	1.950	2.219	2.000-18 UNS
36	2.250-16 UN	1.950	2.469	2.250-16 UN
40	2.500-16 UN	1.950	2.719	2.500-16 UN
44	2.750-16 UN	1.950	2.969	2.750-16 UN
48	3.000-16 UN	1.950	3.219	3.000-16 UN

\* ADD .435 FOR ARRANGEMENTS WITH SIZE 0 CONTACTS.



# FRONT RELEASE MS3412

## CLASSES D, DS, L, U, AND W



RECEPTACLE, BOX MOUNTING, FRONT RELEASE, CRIMP CONTACTS,  
WITH REAR ACCESSORY THREADS ( NO ENVIRONMENTAL REAR SEAL ).  
DIMENSIONS SUBJECT TO CHANGE WITHOUT NOTICE. DIMENSIONS ARE IN INCHES

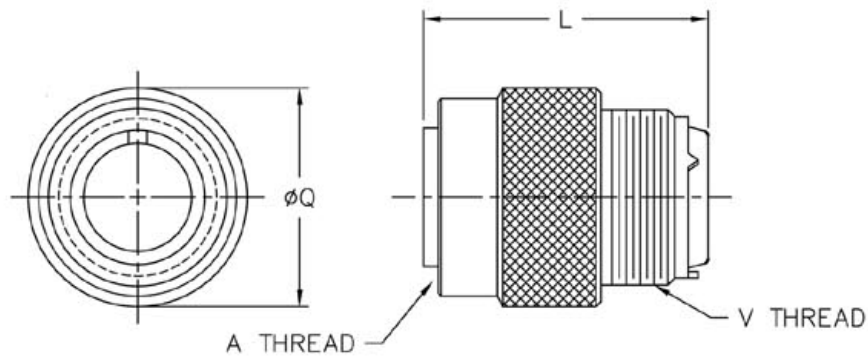
SHELL SIZE	A THREAD CLASS 2A	K ±.015	L * MAX.	M $\begin{smallmatrix} +.031 \\ -.000 \end{smallmatrix}$	R ±.005	S ±.031	$\phi T \begin{smallmatrix} +.010 \\ -.005 \end{smallmatrix}$	V THREAD CLASS 2A
							CLASS D,DS,L	
10S	.625-24 UNEF	.083	1.550	.562	.719	1.000	.120	.625-24 UNEF
10SL	.625-24 UNEF	.083	1.550	.562	.719	1.000	.120	.625-24 UNEF
12S	.750-20 UNEF	.083	1.550	.562	.812	1.094	.120	.750-20 UNEF
12	.750-20 UNEF	.083	1.550	.750	.812	1.094	.120	.750-20 UNEF
14S	.875-20 UNEF	.083	1.550	.562	.906	1.188	.120	.875-20 UNEF
14	.875-20 UNEF	.083	1.550	.750	.906	1.188	.120	.875-20 UNEF
16S	1.000-20 UNEF	.083	1.550	.562	.969	1.281	.120	1.000-20 UNEF
16	1.000-20 UNEF	.083	1.550	.750	.969	1.281	.120	1.000-20 UNEF
18	1.125-18 UNEF	.125	1.550	.750	1.062	1.375	.120	1.0625-18 UNEF
20	1.250-18 UNEF	.125	1.600	.750	1.156	1.500	.120	1.1875-18 UNEF
22	1.375-18 UNEF	.125	1.600	.750	1.250	1.625	.120	1.3125-18 UNEF
24	1.500-18 UNEF	.125	1.600	.812	1.375	1.750	.147	1.4375-18 UNEF
28	1.750-18 UNS	.125	1.600	.812	1.562	2.000	.147	1.750-18 UNS
32	2.000-18 UNS	.125	1.600	.875	1.750	2.250	.173	2.000-18 UNS
36	2.250-16 UN	.125	1.600	.875	1.938	2.500	.173	2.250-16 UN
40	2.500-16 UN	.125	1.600	.875	2.188	2.750	.173	2.500-16 UN
44	2.750-16 UN	.125	1.600	.875	2.375	3.000	.173	2.750-16 UN
48	3.000-16 UN	.125	1.600	.875	2.625	3.250	.173	3.000-16 UN

\* ADD .337 FOR ARRANGEMENTS WITH SIZE 8, 4 OR 0 CONTACTS.



# JT3496 SELF LOCKING PLUG

CLASSES D, DS, L, KS, KT, U, AND W



SELF LOCKING PLUG, FRONT RELEASE, CRIMP CONTACTS.  
DIMENSIONS SUBJECT TO CHANGE WITHOUT NOTICE.  
DIMENSIONS ARE IN INCHES.

SHELL SIZE	A THREAD CLASS 2B	L * MAX.	øQ MAX.	V THREAD CLASS 2A
10S	.625-24 UNEF	1.925	.969	.625-24 UNEF
10SL	.625-24 UNEF	1.925	.969	.625-24 UNEF
12S	.750-20 UNEF	1.925	1.062	.750-20 UNEF
12	.750-20 UNEF	1.925	1.062	.750-20 UNEF
14S	.875-20 UNEF	1.925	1.156	.875-20 UNEF
14	.875-20 UNEF	1.925	1.156	.875-20 UNEF
16S	1.000-20 UNEF	1.925	1.250	1.000-20 UNEF
16	1.000-20 UNEF	1.925	1.250	1.000-20 UNEF
18	1.125-18 UNEF	1.925	1.344	1.0625-18 UNEF
20	1.250-18 UNEF	1.950	1.469	1.1875-18 UNEF
22	1.375-18 UNEF	1.950	1.594	1.3125-18 UNEF
24	1.500-18 UNEF	1.950	1.719	1.4375-18 UNEF
28	1.750-18 UNS	1.950	1.969	1.750-18 UNS
32	2.000-18 UNS	1.950	2.219	2.000-18 UNS
36	2.250-16 UN	1.950	2.469	2.250-16 UN

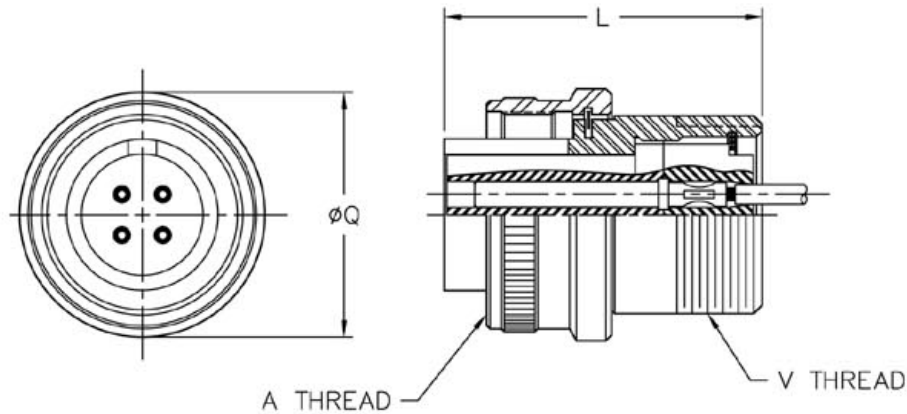
\* ADD .435 FOR ARRANGEMENTS WITH SIZE 0 CONTACTS.





# JT56HT\*

## HIGH TEMPERATURE CONNECTOR



CONSULT FACTORY FOR AVAILABLE INSERTS AND ORDERING INFORMATION.  
DIMENSIONS SUBJECT TO CHANGE WITHOUT NOTICE.  
DIMENSIONS ARE IN INCHES.

SHELL SIZE	A THREAD CLASS 2B	L * MAX.	øQ MAX.	V THREAD CLASS 2A
8S	.500-28 UNEF	1.925	.770	.500-20 UNF
10S	.625-24 UNEF	1.925	.870	.625-24 UNEF
10SL	.625-24 UNEF	1.925	.870	.625-24 UNEF
12	.750-20 UNEF	1.925	.995	.750-20 UNEF
12S	.750-20 UNEF	1.925	.995	.750-20 UNEF
14	.875-20 UNEF	1.925	1.120	.875-20 UNEF
14S	.875-20 UNEF	1.925	1.120	.875-20 UNEF
16	1.000-20 UNEF	1.925	1.240	1.000-20 UNEF
16S	1.000-20 UNEF	1.925	1.240	1.000-20 UNEF
18	1.125-18 UNEF	1.925	1.330	1.0625-18 UNEF
20	1.250-18 UNEF	1.950	1.460	1.1875-18 UNEF
22	1.375-18 UNEF	1.950	1.580	1.3125-18 UNEF
24	1.500-18 UNEF	1.950	1.710	1.4375-18 UNEF
28	1.750-18 UNS	1.950	1.960	1.750-18 UNS
32	2.000-18 UNS	1.950	2.210	2.000-18 UNS
36	2.250-16 UN	1.950	2.460	2.250-16 UN

\* ADD .435 FOR ARRANGEMENTS WITH SIZE 0 CONTACTS.



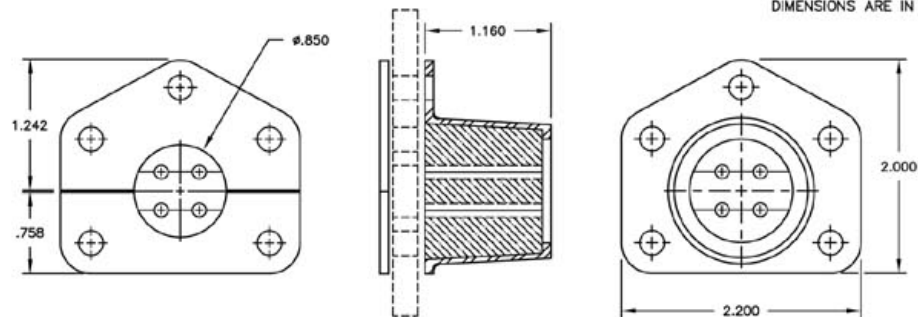
# JTFW100\*

## FIREWALL WIRE FEED THROUGH CONNECTOR

- WITHSTANDS UP TO 2000°F FOR 15 MINUTES WITH NO WIRE BURN THROUGH.
- AVAILABLE IN REPAIRABLE OR NON-REPAIRABLE VERSIONS.
- CONSULT FACTORY FOR ADDITIONAL SIZE AVAILABILITY, APPLICATIONS, AND ORDERING INFORMATION.

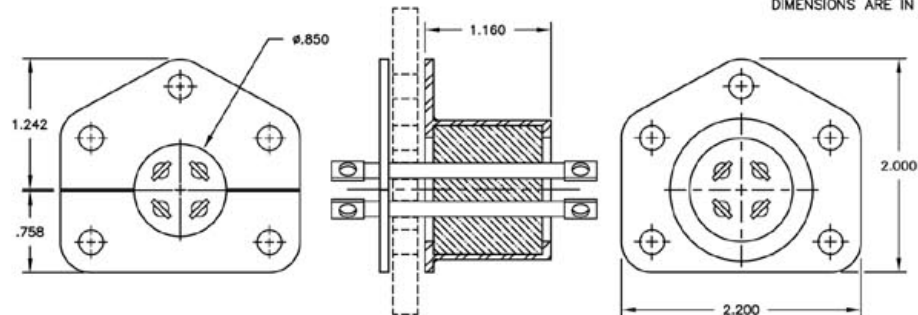
### JTFW1000 REPAIRABLE

PATENT PENDING  
DIMENSIONS ARE IN INCHES.



### JTFW1001 NON-REPAIRABLE

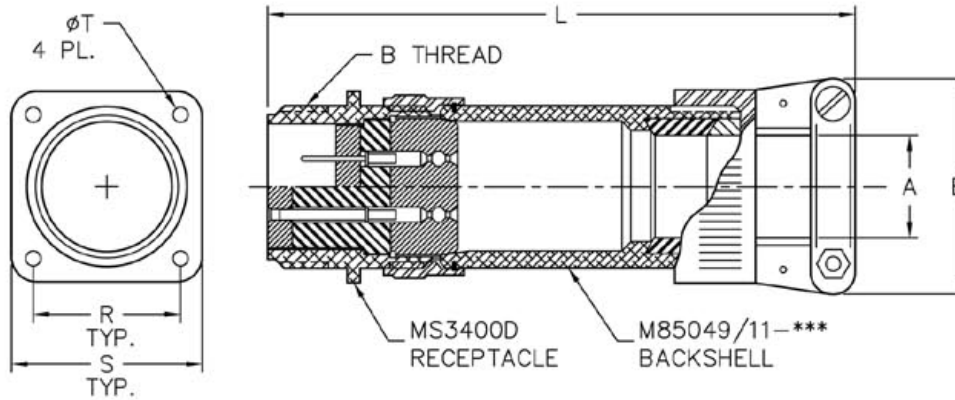
DIMENSIONS ARE IN INCHES.





# MS3400DJ

## WALL MOUNT RECEPTACLE STRAIGHT BACKSHELL ASSEMBLY



ASSEMBLY NO.	CONNECTOR RECEPTACLE NO.	BACKSHELL ASSEMBLY NO.	A CABLE ENTRY		B THREAD CLASS 2A	E MAX.	L* MAX.	R ±.005	S ±.031	ØT MAX.
			MAX.	MIN.						
MS3400DJ 10AXX	MS3400D-10S-XX	M85049/11-09W	.312	.125	.625-24 UNEF	.957	4.938	.719	1.000	.120
MS3400DJ 10BXX	MS3400D-10S-XX	M85049/11-11W	.437	.250	.625-24 UNEF	1.145	5.688	.719	1.000	.120
MS3400DJ 10DXX	MS3400D-10S-XX	M85049/11-136W	.375	.250	.625-24 UNEF	1.145	4.938	.719	1.000	.120
MS3400DJ 11AXX	MS3400D-10SL-XX	M85049/11-09W	.312	.125	.625-24 UNEF	.957	4.938	.719	1.000	.120
MS3400DJ 11BXX	MS3400D-10SL-XX	M85049/11-11W	.437	.250	.625-24 UNEF	1.145	5.688	.719	1.000	.120
MS3400DJ 11DXX	MS3400D-10SL-XX	M85049/11-136W	.375	.250	.625-24 UNEF	1.145	4.938	.719	1.000	.120
MS3400DJ 12AXX	MS3400D-12-XX	M85049/11-114W	.312	.125	.750-20 UNEF	.957	4.938	.812	1.094	.120
MS3400DJ 12BXX	MS3400D-12-XX	M85049/11-15W	.625	.350	.750-20 UNEF	1.332	5.688	.812	1.094	.120
MS3400DJ 12DXX	MS3400D-12-XX	M85049/11-138W	.500	.350	.750-20 UNEF	1.332	4.938	.812	1.094	.120
MS3400DJ 12EXX	MS3400D-12-XX	M85049/11-13W	.437	.250	.750-20 UNEF	1.145	4.938	.812	1.094	.120
MS3400DJ 13AXX	MS3400D-12S-XX	M85049/11-114W	.312	.125	.750-20 UNEF	.957	4.938	.812	1.094	.120
MS3400DJ 13BXX	MS3400D-12S-XX	M85049/11-15W	.625	.350	.750-20 UNEF	1.332	5.688	.812	1.094	.120
MS3400DJ 13DXX	MS3400D-12S-XX	M85049/11-138W	.500	.350	.750-20 UNEF	1.332	4.938	.812	1.094	.120
MS3400DJ 13EXX	MS3400D-12S-XX	M85049/11-13W	.437	.250	.750-20 UNEF	1.145	4.938	.812	1.094	.120
MS3400DJ 14AXX	MS3400D-14-XX	M85049/11-116W	.437	.250	.875-20 UNEF	1.145	4.938	.906	1.188	.120
MS3400DJ 14BXX	MS3400D-14-XX	M85049/11-19W	.750	.500	.875-20 UNEF	1.551	5.750	.906	1.188	.120

\* ADD .375 WHEN CONTACT ARRANGEMENT INCLUDES SIZE 8, 4 AND 0 CONTACTS.



## MS3400DJ

ASSEMBLY NO.	CONNECTOR RECEPTACLE NO.	BACKSHELL ASSEMBLY NO.	A CABLE ENTRY		B THREAD CLASS 2A	E MAX.	L * MAX.	R ±.005	S ±.031	ØT MAX.
			MAX.	MIN.						
MS3400DJ 140XX	MS34000 -14-XX	M85049/11-17W	.575	.350	.875-20 UNEF	1.332	4.938	.906	1.188	.120
MS3400DJ 14EXX	MS34000 -14-XX	M85049/11-150W	.312	.125	.875-20 UNEF	.957	4.938	.906	1.188	.120
MS3400DJ 15AXX	MS34000 -14S-XX	M85049/11-116W	.437	.250	.875-20 UNEF	1.145	4.938	.906	1.188	.120
MS3400DJ 15BXX	MS34000 -14S-XX	M85049/11-19W	.750	.500	.875-20 UNEF	1.551	5.750	.906	1.188	.120
MS3400DJ 150XX	MS34000 -14S-XX	M85049/11-17W	.575	.350	.875-20 UNEF	1.332	4.938	.906	1.188	.120
MS3400DJ 15EXX	MS34000 -14S-XX	M85049/11-150W	.312	.125	.875-20 UNEF	.957	4.938	.906	1.188	.120
MS3400DJ 16AXX	MS34000 -16-XX	M85049/11-21W	.700	.500	1.000-20 UNEF	1.551	5.000	.969	1.284	.120
MS3400DJ 16BXX	MS34000 -16-XX	M85049/11-23W	.937	.625	1.000-20 UNEF	1.770	5.812	.969	1.284	.120
MS3400DJ 160XX	MS34000 -16-XX	M85049/11-112W	.437	.250	1.000-20 UNEF	1.145	4.938	.969	1.284	.120
MS3400DJ 16EXX	MS34000 -16-XX	M85049/11-118W	.625	.350	1.000-20 UNEF	1.332	4.938	.969	1.284	.120
MS3400DJ 17AXX	MS34000 -16S-XX	M85049/11-21W	.700	.500	1.000-20 UNEF	1.551	5.000	.969	1.284	.120
MS3400DJ 17BXX	MS34000 -16S-XX	M85049/11-23W	.937	.625	1.000-20 UNEF	1.770	5.812	.969	1.284	.120
MS3400DJ 170XX	MS34000 -16S-XX	M85049/11-112W	.437	.250	1.000-20 UNEF	1.145	4.938	.969	1.284	.120
MS3400DJ 17EXX	MS34000 -16S-XX	M85049/11-118W	.625	.350	1.000-20 UNEF	1.332	4.938	.969	1.284	.120
MS3400DJ 18AXX	MS34000 -18-XX	M85049/11-25W	.625	.350	1.125-18 UNEF	1.332	4.938	1.062	1.375	.120
MS3400DJ 18BXX	MS34000 -18-XX	M85049/11-27W	.750	.500	1.125-18 UNEF	1.551	5.000	1.062	1.375	.120
MS3400DJ 18EXX	MS34000 -18-XX	M85049/11-120W	.312	.125	1.125-18 UNEF	.957	4.938	1.062	1.375	.120
MS3400DJ 18FXX	MS34000 -18-XX	M85049/11-122W	.437	.250	1.125-18 UNEF	1.145	4.938	1.062	1.375	.120
MS3400DJ 20AXX	MS34000 -20-XX	M85049/11-31W	.625	.350	1.250-18 UNEF	1.332	5.938	1.156	1.500	.120
MS3400DJ 20BXX	MS34000 -20-XX	M85049/11-33W	.750	.500	1.250-18 UNEF	1.551	6.000	1.156	1.500	.120
MS3400DJ 20EXX	MS34000 -20-XX	M85049/11-37W	1.250	.875	1.250-18 UNEF	2.113	7.062	1.156	1.500	.120
MS3400DJ 20FXX	MS34000 -20-XX	M85049/11-124W	.437	.250	1.250-18 UNEF	1.145	5.938	1.156	1.500	.120
MS3400DJ 20GXX	MS34000 -20-XX	M85049/11-140W	.904	.625	1.250-18 UNEF	1.770	6.062	1.156	1.500	.120
MS3400DJ 22AXX	MS34000 -22-XX	M85049/11-39W	.625	.350	1.375-18 UNEF	1.332	5.938	1.250	1.625	.120
MS3400DJ 22BXX	MS34000 -22-XX	M85049/11-41W	.750	.500	1.375-18 UNEF	1.551	6.000	1.250	1.625	.120
MS3400DJ 22DXX	MS34000 -22-XX	M85049/11-43W	.937	.625	1.375-18 UNEF	1.770	6.062	1.250	1.625	.120
MS3400DJ 22EXX	MS34000 -22-XX	M85049/11-45W	1.250	.875	1.375-18 UNEF	2.113	7.062	1.250	1.625	.120
MS3400DJ 22FXX	MS34000 -22-XX	M85049/11-126W	.312	.125	1.375-18 UNEF	.957	5.938	1.250	1.625	.120
MS3400DJ 22GXX	MS34000 -22-XX	M85049/11-128W	.437	.250	1.375-18 UNEF	1.145	5.938	1.250	1.625	.120
MS3400DJ 22HXX	MS34000 -22-XX	M85049/11-142W	1.029	.875	1.375-18 UNEF	2.113	6.312	1.250	1.625	.120
MS3400DJ 24AXX	MS34000 -24-XX	M85049/11-47W	.750	.500	1.500-18 UNEF	1.551	6.000	1.375	1.750	.147
MS3400DJ 24BXX	MS34000 -24-XX	M85049/11-49W	.812	.625	1.500-18 UNEF	1.770	6.062	1.375	1.750	.147

\* ADD .375 WHEN CONTACT ARRANGEMENT INCLUDES SIZE 8, 4 AND 0 CONTACTS.



## MS3400DJ

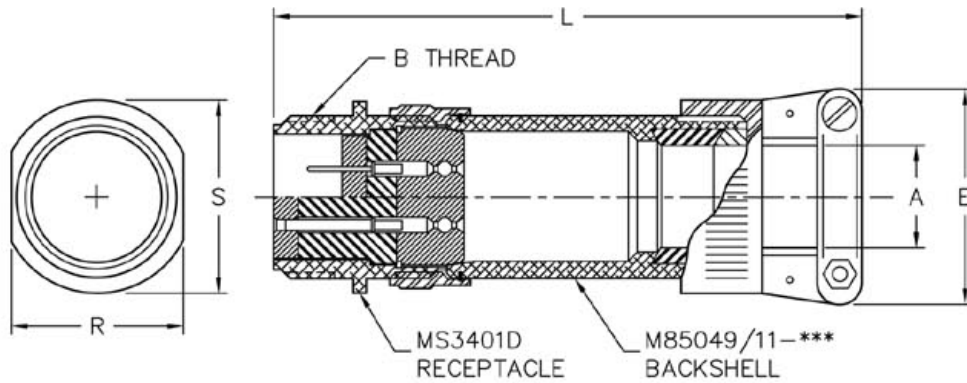
ASSEMBLY NO.	CONNECTOR RECEPTACLE NO.	BACKSHELL ASSEMBLY NO.	A CABLE ENTRY		B THREAD CLASS 2A	E MAX.	L* MAX.	R ±.005	S ±.031	ØT MAX.
			MAX.	MIN.						
MS3400DJ 240XX	MS34000 -24-XX	M85049/11-51W	.937	.625	1.500-18 UNEF	1.770	6.062	1.375	1.750	.147
MS3400DJ 24EXX	MS34000 -24-XX	M85049/11-53W	1.250	.875	1.500-18 UNEF	2.113	7.062	1.375	1.750	.147
MS3400DJ 24FXX	MS34000 -24-XX	M85049/11-130W	.625	.350	1.500-18 UNEF	1.332	5.938	1.375	1.750	.147
MS3400DJ 24GXX	MS34000 -24-XX	M85049/11-144W	1.144	.875	1.500-18 UNEF	2.113	6.312	1.375	1.750	.147
MS3400DJ 28AXX	MS34000 -28-XX	M85049/11-55W	.750	.500	1.750-18 UNS	1.551	6.000	1.562	2.000	.147
MS3400DJ 28BXX	MS34000 -28-XX	M85049/11-57W	.937	.625	1.750-18 UNS	1.770	6.062	1.562	2.000	.147
MS3400DJ 280XX	MS34000 -28-XX	M85049/11-59W	1.250	.875	1.750-18 UNS	2.113	6.312	1.562	2.000	.147
MS3400DJ 28EXX	MS34000 -28-XX	M85049/11-61W	1.375	1.000	1.750-18 UNS	2.363	6.438	1.562	2.000	.147
MS3400DJ 32AXX	MS34000 -32-XX	M85049/11-63W	.937	.625	2.000-18 UNS	1.770	6.062	1.750	2.250	.173
MS3400DJ 32BXX	MS34000 -32-XX	M85049/11-65W	1.250	.875	2.000-18 UNS	2.113	6.312	1.750	2.250	.173
MS3400DJ 320XX	MS34000 -32-XX	M85049/11-67W	1.375	1.000	2.000-18 UNS	2.363	6.438	1.750	2.250	.173
MS3400DJ 32EXX	MS34000 -32-XX	M85049/11-69W	1.625	1.250	2.000-18 UNS	2.770	6.750	1.750	2.250	.173
MS3400DJ 36AXX	MS34000 -36-XX	M85049/11-71W	1.250	.875	2.250-16 UN	2.113	7.312	1.938	2.500	.173
MS3400DJ 36BXX	MS34000 -36-XX	M85049/11-73W	1.375	1.000	2.250-16 UN	2.363	7.438	1.938	2.500	.173
MS3400DJ 360XX	MS34000 -36-XX	M85049/11-75W	1.625	1.250	2.250-16 UN	2.770	7.688	1.938	2.500	.173
MS3400DJ 36EXX	MS34000 -36-XX	M85049/11-146W	1.840	1.437	2.250-16 UN	3.020	7.750	1.938	2.500	.173
MS3400DJ 36FXX	MS34000 -36-XX	M85049/11-132W	.750	.500	2.250-16 UN	1.551	7.000	1.938	2.500	.173
MS3400DJ 36GXX	MS34000 -36-XX	M85049/11-148W	.937	.625	2.250-16 UN	1.770	7.062	1.938	2.500	.173
MS3400DJ 40AXX	MS34000 -40-XX	M85049/11-79W	1.250	.875	2.500-16 UN	2.113	7.312	2.188	2.750	.173
MS3400DJ 40BXX	MS34000 -40-XX	M85049/11-81W	1.375	1.000	2.500-16 UN	2.363	7.438	2.188	2.750	.173
MS3400DJ 400XX	MS34000 -40-XX	M85049/11-83W	1.625	1.250	2.500-16 UN	2.770	7.688	2.188	2.750	.173
MS3400DJ 40EXX	MS34000 -40-XX	M85049/11-85W	1.840	1.437	2.500-16 UN	3.020	7.750	2.188	2.750	.173
MS3400DJ 40FXX	MS34000 -40-XX	M85049/11-134W	.750	.500	2.500-16 UN	1.551	7.000	2.188	2.750	.173
MS3400DJ 44AXX	MS34000 -44-XX	M85049/11-87W	1.250	.875	2.750-16 UN	2.113	7.312	2.375	3.000	.173
MS3400DJ 44BXX	MS34000 -44-XX	M85049/11-89W	1.375	1.000	2.750-16 UN	2.363	7.438	2.375	3.000	.173
MS3400DJ 440XX	MS34000 -44-XX	M85049/11-91W	1.625	1.250	2.750-16 UN	2.770	7.688	2.375	3.000	.173
MS3400DJ 44EXX	MS34000 -44-XX	M85049/11-93W	1.840	1.437	2.750-16 UN	3.020	7.750	2.375	3.000	.173
MS3400DJ 44FXX	MS34000 -44-XX	M85049/11-154W	.937	.625	2.750-16 UN	1.770	7.062	2.375	3.000	.173
MS3400DJ 48AXX	MS34000 -48-XX	M85049/11-95W	1.250	.875	3.000-16 UN	2.113	7.312	2.625	3.250	.173
MS3400DJ 48BXX	MS34000 -48-XX	M85049/11-97W	1.375	1.000	3.000-16 UN	2.363	7.438	2.625	3.250	.173
MS3400DJ 480XX	MS34000 -48-XX	M85049/11-99W	1.625	1.250	3.000-16 UN	2.770	7.688	2.625	3.250	.173
MS3400DJ 48EXX	MS34000 -48-XX	M85049/11-101W	1.840	1.437	3.000-16 UN	3.020	7.750	2.625	3.250	.173

\* ADD .375 WHEN CONTACT ARRANGEMENT INCLUDES SIZE 8, 4 AND 0 CONTACTS.



# MS3401DJ

## CABLE CONNECTOR RECEPTACLE STRAIGHT BACKSHELL ASSEMBLY



ASSEMBLY NO.	CONNECTOR RECEPTACLE NO.	BACKSHELL ASSEMBLY NO.	A CABLE ENTRY		B THREAD CLASS 2A	E MAX.	L* MAX.	R ±.005	S ±.031
			MAX.	MIN.					
MS3401DJ 10AXX	MS3401D-10S-XX	M85049/11-09W	.312	.125	.625-24 UNEF	.957	4.938	.625	.854
MS3401DJ 10BXX	MS3401D-10S-XX	M85049/11-11W	.437	.250	.625-24 UNEF	1.145	5.688	.625	.854
MS3401DJ 10DXX	MS3401D-10S-XX	M85049/11-136W	.375	.250	.625-24 UNEF	1.145	4.938	.625	.854
MS3401DJ 11AXX	MS3401D-10SL-XX	M85049/11-09W	.312	.125	.625-24 UNEF	.957	4.938	.625	.854
MS3401DJ 11BXX	MS3401D-10SL-XX	M85049/11-11W	.437	.250	.625-24 UNEF	1.145	5.688	.625	.854
MS3401DJ 11DXX	MS3401D-10SL-XX	M85049/11-136W	.375	.250	.625-24 UNEF	1.145	4.938	.625	.854
MS3401DJ 12AXX	MS3401D-12-XX	M85049/11-114W	.312	.125	.750-20 UNEF	.957	4.938	.750	.974
MS3401DJ 12BXX	MS3401D-12-XX	M85049/11-15W	.625	.350	.750-20 UNEF	1.332	5.688	.750	.974
MS3401DJ 12DXX	MS3401D-12-XX	M85049/11-138W	.500	.350	.750-20 UNEF	1.332	4.938	.750	.974
MS3401DJ 12EXX	MS3401D-12-XX	M85049/11-13W	.437	.250	.750-20 UNEF	1.145	4.938	.750	.974
MS3401DJ 13AXX	MS3401D-12S-XX	M85049/11-114W	.312	.125	.750-20 UNEF	.957	4.938	.750	.974
MS3401DJ 13BXX	MS3401D-12S-XX	M85049/11-15W	.625	.350	.750-20 UNEF	1.332	5.688	.750	.974
MS3401DJ 13DXX	MS3401D-12S-XX	M85049/11-138W	.500	.350	.750-20 UNEF	1.332	4.938	.750	.974
MS3401DJ 13EXX	MS3401D-12S-XX	M85049/11-13W	.437	.250	.750-20 UNEF	1.145	4.938	.750	.974
MS3401DJ 14AXX	MS3401D-14-XX	M85049/11-116W	.437	.250	.875-20 UNEF	1.145	4.938	.875	1.099
MS3401DJ 14BXX	MS3401D-14-XX	M85049/11-19W	.750	.500	.875-20 UNEF	1.551	5.750	.875	1.099

\* ADD .375 WHEN CONTACT ARRANGEMENT INCLUDES SIZE 8, 4 AND 0 CONTACTS.



## MS3401DJ

ASSEMBLY NO.	CONNECTOR RECEPTACLE NO.	BACKSHELL ASSEMBLY NO.	A CABLE ENTRY		B THREAD CLASS 2A	E MAX.	L* MAX.	R ±.005	S ±.031
			MAX.	MIN.					
MS3401DJ 14DXX	MS3401D -14-XX	M85049/11-17W	.575	.350	.875-20 UNEF	1.332	4.938	.875	1.099
MS3401DJ 14EXX	MS3401D -14-XX	M85049/11-150W	.312	.125	.875-20 UNEF	.957	4.938	.875	1.099
MS3401DJ 15AXX	MS3401D -14S-XX	M85049/11-116W	.437	.250	.875-20 UNEF	1.145	4.938	.875	1.099
MS3401DJ 15BXX	MS3401D -14S-XX	M85049/11-19W	.750	.500	.875-20 UNEF	1.551	5.750	.875	1.099
MS3401DJ 15DXX	MS3401D -14S-XX	M85049/11-17W	.575	.350	.875-20 UNEF	1.332	4.938	.875	1.099
MS3401DJ 15EXX	MS3401D -14S-XX	M85049/11-17W	.312	.125	.875-20 UNEF	.957	4.938	.875	1.099
MS3401DJ 16AXX	MS3401D -16-XX	M85049/11-21W	.700	.500	1.000-20 UNEF	1.551	5.000	1.000	1.224
MS3401DJ 16BXX	MS3401D -16-XX	M85049/11-23W	.937	.625	1.000-20 UNEF	1.770	5.812	1.000	1.224
MS3401DJ 16DXX	MS3401D -16-XX	M85049/11-112W	.437	.250	1.000-20 UNEF	1.145	4.938	1.000	1.224
MS3401DJ 16EXX	MS3401D -16-XX	M85049/11-118W	.625	.350	1.000-20 UNEF	1.332	4.938	1.000	1.224
MS3401DJ 17AXX	MS3401D -16S-XX	M85049/11-21W	.700	.500	1.000-20 UNEF	1.551	5.000	1.000	1.224
MS3401DJ 17BXX	MS3401D -16S-XX	M85049/11-23W	.937	.625	1.000-20 UNEF	1.770	5.812	1.000	1.224
MS3401DJ 17DXX	MS3401D -16S-XX	M85049/11-112W	.437	.250	1.000-20 UNEF	1.145	4.938	1.000	1.224
MS3401DJ 17EXX	MS3401D -16S-XX	M85049/11-118W	.625	.350	1.000-20 UNEF	1.332	4.938	1.000	1.224
MS3401DJ 18AXX	MS3401D -18-XX	M85049/11-25W	.625	.350	1.125-18 UNEF	1.332	4.938	1.125	1.349
MS3401DJ 18BXX	MS3401D -18-XX	M85049/11-27W	.750	.500	1.125-18 UNEF	1.551	5.000	1.125	1.349
MS3401DJ 18EXX	MS3401D -18-XX	M85049/11-120W	.312	.125	1.125-18 UNEF	.957	4.938	1.125	1.349
MS3401DJ 18FXX	MS3401D -18-XX	M85049/11-122W	.437	.250	1.125-18 UNEF	1.145	4.938	1.125	1.349
MS3401DJ 20AXX	MS3401D -20-XX	M85049/11-31W	.625	.350	1.250-18 UNEF	1.332	5.938	1.250	1.474
MS3401DJ 20BXX	MS3401D -20-XX	M85049/11-33W	.750	.500	1.250-18 UNEF	1.551	6.000	1.250	1.474
MS3401DJ 20EXX	MS3401D -20-XX	M85049/11-37W	1.250	.875	1.250-18 UNEF	2.113	7.062	1.250	1.474
MS3401DJ 20FXX	MS3401D -20-XX	M85049/11-124W	.437	.250	1.250-18 UNEF	1.145	5.938	1.250	1.474
MS3401DJ 20GXX	MS3401D -20-XX	M85049/11-140W	.904	.625	1.250-18 UNEF	1.770	6.062	1.250	1.474
MS3401DJ 22AXX	MS3401D -22-XX	M85049/11-39W	.625	.350	1.375-18 UNEF	1.332	5.938	1.375	1.599
MS3401DJ 22BXX	MS3401D -22-XX	M85049/11-41W	.750	.500	1.375-18 UNEF	1.551	6.000	1.375	1.599
MS3401DJ 22DXX	MS3401D -22-XX	M85049/11-43W	.937	.625	1.375-18 UNEF	1.770	6.062	1.375	1.599
MS3401DJ 22EXX	MS3401D -22-XX	M85049/11-45W	1.250	.875	1.375-18 UNEF	2.113	7.062	1.375	1.599
MS3401DJ 22FXX	MS3401D -22-XX	M85049/11-126W	.312	.125	1.375-18 UNEF	.957	5.938	1.375	1.599
MS3401DJ 22GXX	MS3401D -22-XX	M85049/11-128W	.437	.250	1.375-18 UNEF	1.145	5.938	1.375	1.599
MS3401DJ 22HXX	MS3401D -22-XX	M85049/11-142W	1.029	.875	1.375-18 UNEF	2.113	6.312	1.375	1.599
MS3401DJ 24AXX	MS3401D -24-XX	M85049/11-47W	.750	.500	1.500-18 UNEF	1.551	6.000	1.500	1.715
MS3401DJ 24BXX	MS3401D -24-XX	M85049/11-49W	.812	.625	1.500-18 UNEF	1.770	6.062	1.500	1.715

\* ADD .375 WHEN CONTACT ARRANGEMENT INCLUDES SIZE 8, 4 AND 0 CONTACTS.



## MS3401DJ

ASSEMBLY NO.	CONNECTOR RECEPTACLE NO.	BACKSHELL ASSEMBLY NO.	A CABLE ENTRY		B THREAD CLASS 2A	E MAX.	L* MAX.	R ±.005	S ±.031
			MAX.	MIN.					
MS3401DJ 24DXX	MS3401D -24-XX	M85049/11-51W	.937	.625	1.500-18 UNEF	1.770	6.062	1.500	1.715
MS3401DJ 24EXX	MS3401D -24-XX	M85049/11-53W	1.250	.875	1.500-18 UNEF	2.113	7.062	1.500	1.715
MS3401DJ 24FXX	MS3401D -24-XX	M85049/11-130W	.625	.350	1.500-18 UNEF	1.332	5.938	1.500	1.715
MS3401DJ 24GXX	MS3401D -24-XX	M85049/11-144W	1.144	.875	1.500-18 UNEF	2.113	6.312	1.500	1.715
MS3401DJ 28AXX	MS3401D -28-XX	M85049/11-55W	.750	.500	1.750-18 UNS	1.551	6.000	1.750	1.974
MS3401DJ 28BXX	MS3401D -28-XX	M85049/11-57W	.937	.625	1.750-18 UNS	1.770	6.062	1.750	1.974
MS3401DJ 28DXX	MS3401D -28-XX	M85049/11-59W	1.250	.875	1.750-18 UNS	2.113	6.312	1.750	1.974
MS3401DJ 28EXX	MS3401D -28-XX	M85049/11-61W	1.375	1.000	1.750-18 UNS	2.363	6.438	1.750	1.974
MS3401DJ 32AXX	MS3401D -32-XX	M85049/11-63W	.937	.625	2.000-18 UNS	1.770	6.062	2.000	2.224
MS3401DJ 32BXX	MS3401D -32-XX	M85049/11-65W	1.250	.875	2.000-18 UNS	2.113	6.312	2.000	2.224
MS3401DJ 32DXX	MS3401D -32-XX	M85049/11-67W	1.375	1.000	2.000-18 UNS	2.363	6.438	2.000	2.224
MS3401DJ 32EXX	MS3401D -32-XX	M85049/11-69W	1.625	1.250	2.000-18 UNS	2.770	6.750	2.000	2.224
MS3401DJ 36AXX	MS3401D -36-XX	M85049/11-71W	1.250	.875	2.250-16 UN	2.113	7.312	2.250	2.474
MS3401DJ 36BXX	MS3401D -36-XX	M85049/11-73W	1.375	1.000	2.250-16 UN	2.363	7.438	2.250	2.474
MS3401DJ 36DXX	MS3401D -36-XX	M85049/11-75W	1.625	1.250	2.250-16 UN	2.770	7.688	2.250	2.474
MS3401DJ 36EXX	MS3401D -36-XX	M85049/11-146W	1.840	1.437	2.250-16 UN	3.020	7.750	2.250	2.474
MS3401DJ 36FXX	MS3401D -36-XX	M85049/11-132W	.750	.500	2.250-16 UN	1.551	7.000	2.250	2.474
MS3401DJ 36GXX	MS3401D -36-XX	M85049/11-148W	.937	.625	2.250-16 UN	1.770	7.062	2.250	2.474
MS3401DJ 40AXX	MS3401D -40-XX	M85049/11-79W	1.250	.875	2.500-16 UN	2.113	7.312	2.505	2.724
MS3401DJ 40BXX	MS3401D -40-XX	M85049/11-81W	1.375	1.000	2.500-16 UN	2.363	7.438	2.505	2.724
MS3401DJ 40DXX	MS3401D -40-XX	M85049/11-83W	1.625	1.250	2.500-16 UN	2.770	7.688	2.505	2.724
MS3401DJ 40EXX	MS3401D -40-XX	M85049/11-85W	1.840	1.437	2.500-16 UN	3.020	7.750	2.505	2.724
MS3401DJ 40FXX	MS3401D -40-XX	M85049/11-134W	.750	.500	2.500-16 UN	1.551	7.000	2.505	2.724
MS3401DJ 44AXX	MS3401D -44-XX	M85049/11-87W	1.250	.875	2.750-16 UN	2.113	7.312	2.755	2.974
MS3401DJ 44BXX	MS3401D -44-XX	M85049/11-89W	1.375	1.000	2.750-16 UN	2.363	7.438	2.755	2.974
MS3401DJ 44DXX	MS3401D -44-XX	M85049/11-91W	1.625	1.250	2.750-16 UN	2.770	7.688	2.755	2.974
MS3401DJ 44EXX	MS3401D -44-XX	M85049/11-93W	1.840	1.437	2.750-16 UN	3.020	7.750	2.755	2.974
MS3401DJ 44FXX	MS3401D -44-XX	M85049/11-154W	.937	.625	2.750-16 UN	1.770	7.062	2.755	2.974
MS3401DJ 48AXX	MS3401D -48-XX	M85049/11-95W	1.250	.875	3.000-16 UN	2.113	7.312	3.005	3.224
MS3401DJ 48BXX	MS3401D -48-XX	M85049/11-97W	1.375	1.000	3.000-16 UN	2.363	7.438	3.005	3.224
MS3401DJ 48DXX	MS3401D -48-XX	M85049/11-99W	1.625	1.250	3.000-16 UN	2.770	7.688	3.005	3.224
MS3401DJ 48EXX	MS3401D -48-XX	M85049/11-101W	1.840	1.437	3.000-16 UN	3.020	7.750	3.005	3.224

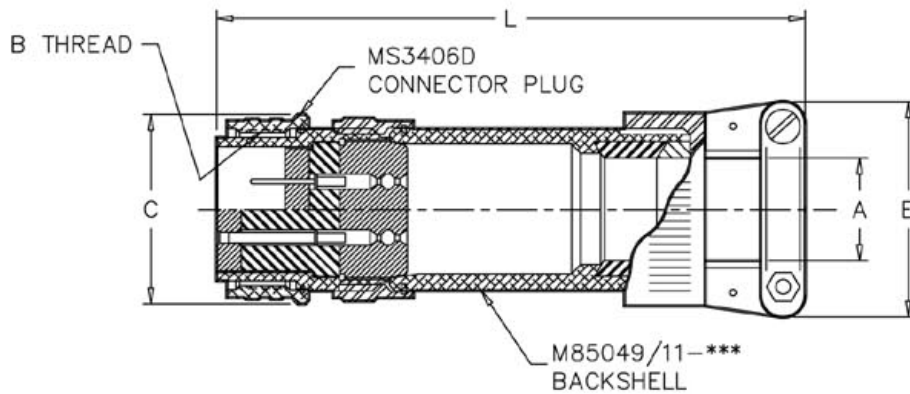
\* ADD .375 WHEN CONTACT ARRANGEMENT INCLUDES SIZE 8, 4, AND 0 CONTACTS.





# MS3406DJ

## PLUG STRAIGHT BACKSHELL ASSEMBLY



ASSEMBLY NO.	CONNECTOR RECEPTACLE NO.	BACKSHELL ASSEMBLY NO.	A CABLE ENTRY		B THREAD CLASS 2B	C MAX.	E MAX.	L* MAX.
			MAX.	MIN.				
MS3406DJ 10AXX	MS3406D-10S-XX	M85049/11-09W	.312	.125	.625-24 UNEF	.969	.957	4.938
MS3406DJ 10BXX	MS3406D-10S-XX	M85049/11-11W	.437	.250	.625-24 UNEF	.969	1.145	5.688
MS3406DJ 10DXX	MS3406D-10S-XX	M85049/11-136W	.375	.250	.625-24 UNEF	.969	1.145	4.938
MS3406DJ 11AXX	MS3406D-10SL-XX	M85049/11-09W	.312	.125	.625-24 UNEF	.969	.957	4.938
MS3406DJ 11BXX	MS3406D-10SL-XX	M85049/11-11W	.437	.250	.625-24 UNEF	.969	1.145	5.688
MS3406DJ 11DXX	MS3406D-10SL-XX	M85049/11-136W	.375	.250	.625-24 UNEF	.969	1.145	4.938
MS3406DJ 12AXX	MS3406D-12-XX	M85049/11-114W	.312	.125	.750-20 UNEF	1.062	.957	4.938
MS3406DJ 12BXX	MS3406D-12-XX	M85049/11-15W	.625	.350	.750-20 UNEF	1.062	1.332	5.688
MS3406DJ 12DXX	MS3406D-12-XX	M85049/11-138W	.500	.350	.750-20 UNEF	1.062	1.332	4.938
MS3406DJ 12EXX	MS3406D-12-XX	M85049/11-13W	.437	.250	.750-20 UNEF	1.062	1.145	4.938
MS3406DJ 13AXX	MS3406D-12S-XX	M85049/11-114W	.312	.125	.750-20 UNEF	1.062	.957	4.938
MS3406DJ 13BXX	MS3406D-12S-XX	M85049/11-15W	.625	.350	.750-20 UNEF	1.062	1.332	5.688
MS3406DJ 13DXX	MS3406D-12S-XX	M85049/11-138W	.500	.350	.750-20 UNEF	1.062	1.332	4.938
MS3406DJ 13EXX	MS3406D-12S-XX	M85049/11-13W	.437	.250	.750-20 UNEF	1.062	1.145	4.938
MS3406DJ 14AXX	MS3406D-14-XX	M85049/11-116W	.437	.250	.875-20 UNEF	1.156	1.145	4.938
MS3406DJ 14BXX	MS3406D-14-XX	M85049/11-19W	.750	.500	.875-20 UNEF	1.156	1.551	5.750

\* ADD .375 WHEN CONTACT ARRANGEMENT INCLUDES SIZE 8, 4 AND 0 CONTACTS.



## MS3406DJ

ASSEMBLY NO.	CONNECTOR RECEPTACLE NO.	BACKSHELL ASSEMBLY NO.	A CABLE ENTRY		B THREAD CLASS 2B	C MAX.	E MAX.	L* MAX.
			MAX.	MIN.				
MS3406DJ 14DXX	MS3406D -14-XX	M85049/11-17W	.575	.350	.875-20 UNEF	1.156	1.332	4.938
MS3406DJ 14EXX	MS3406D -14-XX	M85049/11-150W	.312	.125	.875-20 UNEF	1.156	.957	4.938
MS3406DJ 15AXX	MS3406D -14S-XX	M85049/11-116W	.437	.250	.875-20 UNEF	1.156	1.145	4.938
MS3406DJ 15BXX	MS3406D -14S-XX	M85049/11-19W	.750	.500	.875-20 UNEF	1.156	1.551	5.750
MS3406DJ 15DXX	MS3406D -14S-XX	M85049/11-17W	.575	.350	.875-20 UNEF	1.156	1.332	4.938
MS3406DJ 15EXX	MS3406D -14S-XX	M85049/11-150W	.312	.125	.875-20 UNEF	1.156	.957	4.938
MS3406DJ 16AXX	MS3406D -16-XX	M85049/11-21W	.700	.500	1.000-20 UNEF	1.250	1.551	5.000
MS3406DJ 16BXX	MS3406D -16-XX	M85049/11-23W	.937	.625	1.000-20 UNEF	1.250	1.770	5.812
MS3406DJ 16DXX	MS3406D -16-XX	M85049/11-112W	.437	.250	1.000-20 UNEF	1.250	1.145	4.938
MS3406DJ 16EXX	MS3406D -16-XX	M85049/11-118W	.625	.350	1.000-20 UNEF	1.250	1.332	4.938
MS3406DJ 17AXX	MS3406D -16S-XX	M85049/11-21W	.700	.500	1.000-20 UNEF	1.250	1.551	5.000
MS3406DJ 17BXX	MS3406D -16S-XX	M85049/11-23W	.937	.625	1.000-20 UNEF	1.250	1.770	5.812
MS3406DJ 17DXX	MS3406D -16S-XX	M85049/11-112W	.437	.250	1.000-20 UNEF	1.250	1.145	4.938
MS3406DJ 17EXX	MS3406D -16S-XX	M85049/11-118W	.625	.350	1.000-20 UNEF	1.250	1.332	4.938
MS3406DJ 18AXX	MS3406D -18-XX	M85049/11-25W	.625	.350	1.125-18 UNEF	1.344	1.332	4.938
MS3406DJ 18BXX	MS3406D -18-XX	M85049/11-27W	.750	.500	1.125-18 UNEF	1.344	1.551	5.000
MS3406DJ 18EXX	MS3406D -18-XX	M85049/11-120W	.312	.125	1.125-18 UNEF	1.344	.957	4.938
MS3406DJ 18FXX	MS3406D -18-XX	M85049/11-122W	.437	.250	1.125-18 UNEF	1.344	1.145	4.938
MS3406DJ 20AXX	MS3406D -20-XX	M85049/11-31W	.625	.350	1.250-18 UNEF	1.469	1.332	5.938
MS3406DJ 20BXX	MS3406D -20-XX	M85049/11-33W	.750	.500	1.250-18 UNEF	1.469	1.551	6.000
MS3406DJ 20EXX	MS3406D -20-XX	M85049/11-37W	1.250	.875	1.250-18 UNEF	1.469	2.113	7.062
MS3406DJ 20FXX	MS3406D -20-XX	M85049/11-124W	.437	.250	1.250-18 UNEF	1.469	1.145	5.938
MS3406DJ 20GXX	MS3406D -20-XX	M85049/11-140W	.904	.625	1.250-18 UNEF	1.469	1.770	6.062
MS3406DJ 22AXX	MS3406D -22-XX	M85049/11-39W	.625	.350	1.375-18 UNEF	1.594	1.332	5.938
MS3406DJ 22BXX	MS3406D -22-XX	M85049/11-41W	.750	.500	1.375-18 UNEF	1.594	1.551	6.000
MS3406DJ 22DXX	MS3406D -22-XX	M85049/11-43W	.937	.625	1.375-18 UNEF	1.594	1.770	6.062
MS3406DJ 22EXX	MS3406D -22-XX	M85049/11-45W	1.250	.875	1.375-18 UNEF	1.594	2.113	7.062
MS3406DJ 22FXX	MS3406D -22-XX	M85049/11-126W	.312	.125	1.375-18 UNEF	1.594	.957	5.938
MS3406DJ 22GXX	MS3406D -22-XX	M85049/11-128W	.437	.250	1.375-18 UNEF	1.594	1.145	5.938
MS3406DJ 22HXX	MS3406D -22-XX	M85049/11-142W	1.029	.875	1.375-18 UNEF	1.594	2.113	6.312
MS3406DJ 24AXX	MS3406D -24-XX	M85049/11-47W	.750	.500	1.500-18 UNEF	1.719	1.551	6.000
MS3406DJ 24BXX	MS3406D -24-XX	M85049/11-49W	.812	.625	1.500-18 UNEF	1.719	1.770	6.062

\* ADD .375 WHEN CONTACT ARRANGEMENT INCLUDES SIZE 8, 4 AND 0 CONTACTS.



## MS3406DJ

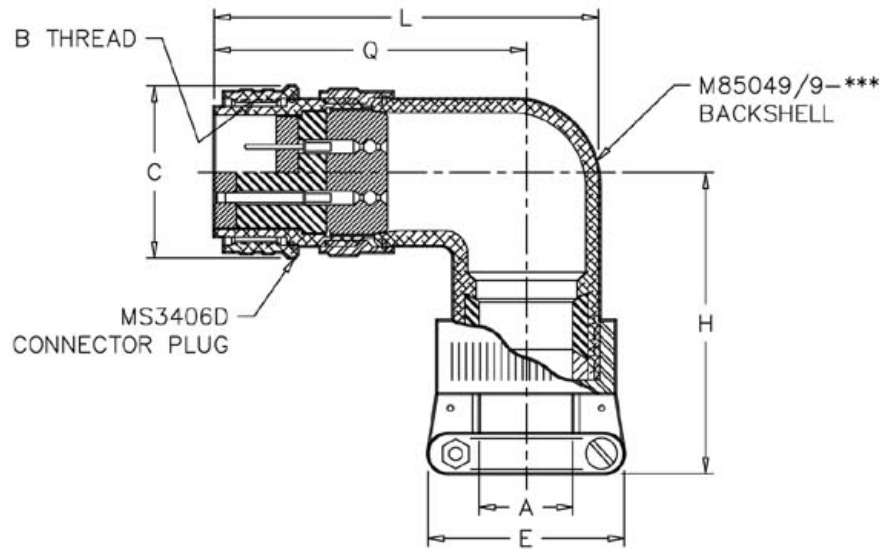
ASSEMBLY NO.	CONNECTOR RECEPTACLE NO.	BACKSHELL ASSEMBLY NO.	A CABLE ENTRY		B THREAD CLASS 2B	C MAX.	E MAX.	L* MAX.
			MAX.	MIN.				
MS3406DJ 24DXX	MS3406D -24-XX	M85049/11-51W	.937	.625	1.500-18 UNEF	1.719	1.770	6.062
MS3406DJ 24EXX	MS3406D -24-XX	M85049/11-53W	1.250	.875	1.500-18 UNEF	1.719	2.113	7.062
MS3406DJ 24FXX	MS3406D -24-XX	M85049/11-130W	.625	.350	1.500-18 UNEF	1.719	1.332	5.938
MS3406DJ 24GXX	MS3406D -24-XX	M85049/11-144W	1.144	.875	1.500-18 UNEF	1.719	2.113	6.312
MS3406DJ 28AXX	MS3406D -28-XX	M85049/11-55W	.750	.500	1.750-18 UNS	1.969	1.551	6.000
MS3406DJ 28BXX	MS3406D -28-XX	M85049/11-57W	.937	.625	1.750-18 UNS	1.969	1.770	6.062
MS3406DJ 28DXX	MS3406D -28-XX	M85049/11-59W	1.250	.875	1.750-18 UNS	1.969	2.113	6.312
MS3406DJ 28EXX	MS3406D -28-XX	M85049/11-61W	1.375	1.000	1.750-18 UNS	1.969	2.363	6.438
MS3406DJ 32AXX	MS3406D -32-XX	M85049/11-63W	.937	.625	2.000-18 UNS	2.219	1.770	6.062
MS3406DJ 32BXX	MS3406D -32-XX	M85049/11-65W	1.250	.875	2.000-18 UNS	2.219	2.113	6.312
MS3406DJ 32DXX	MS3406D -32-XX	M85049/11-67W	1.375	1.000	2.000-18 UNS	2.219	2.363	6.438
MS3406DJ 32EXX	MS3406D -32-XX	M85049/11-69W	1.625	1.250	2.000-18 UNS	2.219	2.770	6.750
MS3406DJ 36AXX	MS3406D -36-XX	M85049/11-71W	1.250	.875	2.250-16 UN	2.469	2.113	7.312
MS3406DJ 36BXX	MS3406D -36-XX	M85049/11-73W	1.375	1.000	2.250-16 UN	2.469	2.363	7.438
MS3406DJ 36DXX	MS3406D -36-XX	M85049/11-75W	1.625	1.250	2.250-16 UN	2.469	2.770	7.688
MS3406DJ 36EXX	MS3406D -36-XX	M85049/11-146W	1.840	1.437	2.250-16 UN	2.469	3.020	7.750
MS3406DJ 36FXX	MS3406D -36-XX	M85049/11-132W	.750	.500	2.250-16 UN	2.469	1.551	7.000
MS3406DJ 36GXX	MS3406D -36-XX	M85049/11-148W	.937	.625	2.250-16 UN	2.469	1.770	7.062
MS3406DJ 40AXX	MS3406D -40-XX	M85049/11-79W	1.250	.875	2.500-16 UN	2.719	2.113	7.312
MS3406DJ 40BXX	MS3406D -40-XX	M85049/11-81W	1.375	1.000	2.500-16 UN	2.719	2.363	7.438
MS3406DJ 40DXX	MS3406D -40-XX	M85049/11-83W	1.625	1.250	2.500-16 UN	2.719	2.770	7.688
MS3406DJ 40EXX	MS3406D -40-XX	M85049/11-85W	1.840	1.437	2.500-16 UN	2.719	3.020	7.750
MS3406DJ 40FXX	MS3406D -40-XX	M85049/11-134W	.750	.500	2.500-16 UN	2.719	1.551	7.000
MS3406DJ 44AXX	MS3406D -44-XX	M85049/11-87W	1.250	.875	2.750-16 UN	2.969	2.113	7.312
MS3406DJ 44BXX	MS3406D -44-XX	M85049/11-89W	1.375	1.000	2.750-16 UN	2.969	2.363	7.438
MS3406DJ 44DXX	MS3406D -44-XX	M85049/11-91W	1.625	1.250	2.750-16 UN	2.969	2.770	7.688
MS3406DJ 44EXX	MS3406D -44-XX	M85049/11-93W	1.840	1.437	2.750-16 UN	2.969	3.020	7.750
MS3406DJ 44FXX	MS3406D -44-XX	M85049/11-154W	.937	.625	2.750-16 UN	2.969	1.770	7.062
MS3406DJ 48AXX	MS3406D -48-XX	M85049/11-95W	1.250	.875	3.000-16 UN	3.219	2.113	7.312
MS3406DJ 48BXX	MS3406D -48-XX	M85049/11-97W	1.375	1.000	3.000-16 UN	3.219	2.363	7.438
MS3406DJ 48DXX	MS3406D -48-XX	M85049/11-99W	1.625	1.250	3.000-16 UN	3.219	2.770	7.688
MS3406DJ 48EXX	MS3406D -48-XX	M85049/11-101W	1.840	1.437	3.000-16 UN	3.219	3.020	7.750

\* ADD .375 WHEN CONTACT ARRANGEMENT INCLUDES SIZE 8, 4 AND 0 CONTACTS.



# MS3408DJ

## 90 PLUG BACKSHELL ASSEMBLY



ASSEMBLY NO.	CONNECTOR RECEPTACLE NO.	BACKSHELL ASSEMBLY NO.	A CABLE ENTRY		B THREAD CLASS 2B	C MAX.	E MAX.	H MAX.	L* MAX.	Q MAX.
			MAX.	MIN.						
MS3408DJ 10AXX	MS3406D-10S-XX	M85049/9-04W	.312	.125	.625-24 UNEF	.969	.957	3.125	3.000	2.500
MS3408DJ 10BXX	MS3406D-10S-XX	M85049/9-49W	.437	.250	.625-24 UNEF	.969	1.145	3.125	3.812	3.250
MS3408DJ 100XX	MS3406D-10S-XX	M85049/9-05W	.375	.250	.625-24 UNEF	.969	1.145	2.500	3.062	2.500
MS3408DJ 11AXX	MS3406D-10SL-XX	M85049/9-04W	.312	.125	.625-24 UNEF	.969	.957	3.125	3.000	2.500
MS3408DJ 11BXX	MS3406D-10SL-XX	M85049/9-49W	.437	.250	.625-24 UNEF	.969	1.145	3.125	3.812	3.250
MS3408DJ 11DXX	MS3406D-10SL-XX	M85049/9-05W	.375	.250	.625-24 UNEF	.969	1.145	2.500	3.062	2.500
MS3408DJ 12AXX	MS3406D-12-XX	M85049/9-06W	.312	.125	.750-20 UNEF	1.062	.957	3.125	3.000	2.500
MS3408DJ 12BXX	MS3406D-12-XX	M85049/9-71W	.625	.350	.750-20 UNEF	1.062	1.332	3.312	4.188	3.562
MS3408DJ 12DXX	MS3406D-12-XX	M85049/9-08W	.500	.350	.750-20 UNEF	1.062	1.332	2.500	3.188	2.500
MS3408DJ 12EXX	MS3406D-12-XX	M85049/9-07W	.437	.250	.750-20 UNEF	1.062	1.145	3.125	3.062	2.500
MS3408DJ 13AXX	MS3406D-12S-XX	M85049/9-06W	.312	.125	.750-20 UNEF	1.062	.957	3.125	3.000	2.500
MS3408DJ 13BXX	MS3406D-12S-XX	M85049/9-71W	.625	.350	.750-20 UNEF	1.062	1.332	3.312	4.188	3.562

\* ADD .375 WHEN CONTACT ARRANGEMENT INCLUDES SIZE 8, 4 AND 0 CONTACTS.



## MS3408DJ

ASSEMBLY NO.	CONNECTOR RECEPTACLE NO.	BACKSHELL ASSEMBLY NO.	A CABLE ENTRY		B THREAD CLASS 2B	C MAX.	E MAX.	H MAX.	L* MAX.	Q MAX.
			MAX.	MIN.						
MS3408DJ 130XX	MS3406D-12S-XX	M85049/9-08W	.500	.350	.750-20 UNEF	1.062	1.332	2.500	3.188	2.500
MS3408DJ 13EXX	MS3406D-12S-XX	M85049/9-07W	.437	.250	.750-20 UNEF	1.062	1.145	3.125	3.062	2.500
MS3408DJ 14AXX	MS3406D-14-XX	M85049/9-09W	.437	.250	.875-20 UNEF	1.156	1.145	3.188	3.188	2.688
MS3408DJ 14BX	MS3406D-14-XX	M85049/9-50W	.750	.500	.875-20 UNEF	1.156	1.551	3.500	4.375	3.625
MS3408DJ 14DXX	MS3406D-14-XX	M85049/9-10W	.575	.350	.875-20 UNEF	1.156	1.332	2.812	3.250	2.688
MS3408DJ 14EXX	MS3406D-14-XX	M85049/9-74W	.312	.125	.875-20 UNEF	1.156	.957	3.188	3.125	2.625
MS3408DJ 15AXX	MS3406D-14S-XX	M85049/9-09W	.437	.250	.875-20 UNEF	1.156	1.145	3.188	3.188	2.688
MS3408DJ 15BX	MS3406D-14S-XX	M85049/9-50W	.750	.500	.875-20 UNEF	1.156	1.551	3.500	4.375	3.625
MS3408DJ 15DXX	MS3406D-14S-XX	M85049/9-10W	.575	.350	.875-20 UNEF	1.156	1.332	2.812	3.250	2.688
MS3408DJ 15EXX	MS3406D-14S-XX	M85049/9-74W	.312	.125	.875-20 UNEF	1.156	.957	3.188	3.125	2.625
MS3408DJ 16AXX	MS3406D-16-XX	M85049/9-12W	.700	.500	1.000-20 UNEF	1.250	1.551	2.938	3.562	2.812
MS3408DJ 16BX	MS3406D-16-XX	M85049/9-51W	.937	.625	1.000-20 UNEF	1.250	1.770	3.688	4.688	3.750
MS3408DJ 16DXX	MS3406D-16-XX	M85049/9-11W	.437	.250	1.000-20 UNEF	1.250	1.145	3.312	3.375	2.812
MS3408DJ 16EXX	MS3406D-16-XX	M85049/9-40W	.625	.350	1.000-20 UNEF	1.250	1.332	3.312	3.438	2.812
MS3408DJ 17AXX	MS3406D-16S-XX	M85049/9-12W	.700	.500	1.000-20 UNEF	1.250	1.551	2.938	3.562	2.812
MS3408DJ 17BX	MS3406D-16S-XX	M85049/9-51W	.937	.625	1.000-20 UNEF	1.250	1.770	3.688	4.688	3.750
MS3408DJ 17DXX	MS3406D-16S-XX	M85049/9-11W	.437	.250	1.000-20 UNEF	1.250	1.145	3.312	3.375	2.812
MS3408DJ 17EXX	MS3406D-16S-XX	M85049/9-40W	.625	.350	1.000-20 UNEF	1.250	1.332	3.312	3.438	2.812
MS3408DJ 18AXX	MS3406D-18-XX	M85049/9-13W	.625	.350	1.125-18 UNEF	1.344	1.332	3.438	3.625	2.875
MS3408DJ 18BX	MS3406D-18-XX	M85049/9-52W	.750	.500	1.125-18 UNEF	1.344	1.551	3.500	3.625	2.875
MS3408DJ 18EXX	MS3406D-18-XX	M85049/9-41W	.312	.125	1.125-18 UNEF	1.344	.957	3.438	3.625	2.875
MS3408DJ 18FX	MS3406D-18-XX	M85049/9-42W	.437	.250	1.125-18 UNEF	1.344	1.145	3.438	3.625	2.875
MS3408DJ 20AXX	MS3406D-20-XX	M85049/9-15W	.625	.350	1.250-18 UNEF	1.469	1.332	3.438	3.625	2.875
MS3408DJ 20BXX	MS3406D-20-XX	M85049/9-54W	.750	.500	1.250-18 UNEF	1.469	1.551	3.500	3.625	2.875
MS3408DJ 20EXX	MS3406D-20-XX	M85049/9-55W	1.250	.875	1.250-18 UNEF	1.469	2.113	4.062	4.938	3.875
MS3408DJ 20FX	MS3406D-20-XX	M85049/9-43W	.437	.250	1.250-18 UNEF	1.469	1.145	3.438	3.625	2.875
MS3408DJ 20GXX	MS3406D-20-XX	M85049/9-16W	.904	.625	1.250-18 UNEF	1.469	1.770	3.250	3.750	2.875
MS3408DJ 22AXX	MS3406D-22-XX	M85049/9-56W	.625	.350	1.375-18 UNEF	1.594	1.332	3.562	3.875	3.000
MS3408DJ 22BXX	MS3406D-22-XX	M85049/9-17W	.750	.500	1.375-18 UNEF	1.594	1.551	3.625	3.875	3.000
MS3408DJ 22DXX	MS3406D-22-XX	M85049/9-57W	.937	.625	1.375-18 UNEF	1.594	1.770	3.688	3.938	3.000
MS3408DJ 22EXX	MS3406D-22-XX	M85049/9-58W	1.250	.875	1.375-18 UNEF	1.594	2.113	4.062	4.938	3.875
MS3408DJ 22FX	MS3406D-22-XX	M85049/9-44W	.312	.125	1.375-18 UNEF	1.594	.957	3.562	3.875	3.000
MS3408DJ 22GXX	MS3406D-22-XX	M85049/9-45W	.437	.250	1.375-18 UNEF	1.594	1.145	3.562	3.875	3.000
MS3408DJ 22HXX	MS3406D-22-XX	M85049/9-18W	1.029	.875	1.375-18 UNEF	1.594	2.113	3.562	4.062	3.000

\* ADD .375 WHEN CONTACT ARRANGEMENT INCLUDES SIZE B, 4 AND 0 CONTACTS.



## MS3408DJ

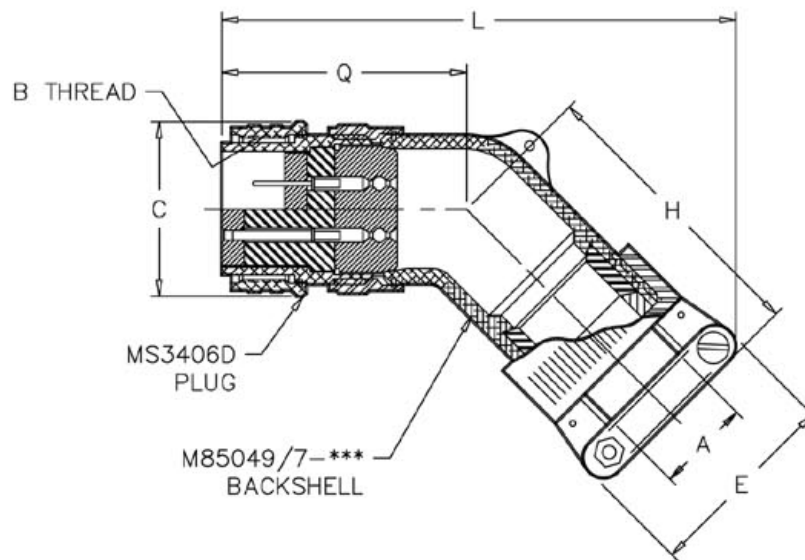
ASSEMBLY NO.	CONNECTOR RECEPTACLE NO.	BACKSHELL ASSEMBLY NO.	A CABLE ENTRY		B THREAD CLASS 2B	C MAX.	E MAX.	H MAX.	L* MAX.	Q MAX.
			MAX.	MIN.						
MS3408DJ 24AXX	MS3406D -24-XX	M85049/9 -19W	.750	.500	1.500-18 UNEF	1.719	1.551	3.625	3.875	3.000
MS3408DJ 24DXX	MS3406D -24-XX	M85049/9 -59W	.937	.625	1.500-18 UNEF	1.719	1.770	3.688	3.938	3.000
MS3408DJ 24EXX	MS3406D -24-XX	M85049/9 -73W	1.250	.875	1.500-18 UNEF	1.719	2.113	4.062	4.938	3.875
MS3408DJ 24FXX	MS3406D -24-XX	M85049/9 -46W	.625	.350	1.500-18 UNEF	1.719	1.332	3.562	3.875	3.000
MS3408DJ 24GXX	MS3406D -24-XX	M85049/9 -20W	1.144	.875	1.500-18 UNEF	1.719	2.113	3.562	4.062	3.000
MS3408DJ 28AXX	MS3406D -28-XX	M85049/9 -60W	.750	.500	1.750-18 UNS	1.969	1.551	3.750	4.125	3.125
MS3408DJ 28BXX	MS3406D -28-XX	M85049/9 -21W	.937	.625	1.750-18 UNS	1.969	1.770	3.875	4.125	3.125
MS3408DJ 28DXX	MS3406D -28-XX	M85049/9 -61W	1.250	.875	1.750-18 UNS	1.969	2.113	4.062	4.188	3.125
MS3408DJ 28EXX	MS3406D -28-XX	M85049/9 -22W	1.375	1.000	1.750-18 UNS	1.969	2.363	3.875	4.312	3.125
MS3408DJ 32AXX	MS3406D -32-XX	M85049/9 -23W	.937	.625	2.000-18 UNS	2.219	1.770	4.125	4.625	3.500
MS3408DJ 32BXX	MS3406D -32-XX	M85049/9 -24W	1.250	.875	2.000-18 UNS	2.219	2.113	4.312	4.625	3.500
MS3408DJ 32DXX	MS3406D -32-XX	M85049/9 -62W	1.375	1.000	2.000-18 UNS	2.219	2.363	4.438	4.625	3.500
MS3408DJ 32EXX	MS3406D -32-XX	M85049/9 -25W	1.625	1.250	2.000-18 UNS	2.219	2.770	4.375	4.875	3.500
MS3408DJ 36AXX	MS3406D -36-XX	M85049/9 -63W	1.250	.875	2.250-16 UN	2.469	2.113	4.312	4.938	3.688
MS3408DJ 36BXX	MS3406D -36-XX	M85049/9 -27W	1.375	1.000	2.250-16 UN	2.469	2.363	4.438	4.938	3.688
MS3408DJ 36DXX	MS3406D -36-XX	M85049/9 -64W	1.625	1.250	2.250-16 UN	2.469	2.770	4.688	5.062	3.688
MS3408DJ 36EXX	MS3406D -36-XX	M85049/9 -28W	1.840	1.437	2.250-16 UN	2.469	3.020	4.375	5.188	3.688
MS3408DJ 36FXX	MS3406D -36-XX	M85049/9 -47W	.750	.500	2.250-16 UN	2.469	1.551	4.000	4.938	3.688
MS3408DJ 36GXX	MS3406D -36-XX	M85049/9 -26W	.937	.625	2.250-16 UN	2.469	1.770	4.062	4.938	3.688
MS3408DJ 40AXX	MS3406D -40-XX	M85049/9 -65W	1.250	.875	2.500-16 UN	2.719	2.113	4.312	5.688	4.438
MS3408DJ 40BXX	MS3406D -40-XX	M85049/9 -30W	1.375	1.000	2.500-16 UN	2.719	2.363	4.438	5.688	4.438
MS3408DJ 40DXX	MS3406D -40-XX	M85049/9 -66W	1.625	1.250	2.500-16 UN	2.719	2.770	4.688	5.812	4.438
MS3408DJ 40EXX	MS3406D -40-XX	M85049/9 -31W	1.840	1.437	2.500-16 UN	2.719	3.020	4.375	5.938	4.438
MS3408DJ 40FXX	MS3406D -40-XX	M85049/9 -48W	.750	.500	2.500-16 UN	2.719	1.551	4.000	5.688	3.688
MS3408DJ 44AXX	MS3406D -44-XX	M85049/9 -67W	1.250	.875	2.750-16 UN	2.969	2.113	4.312	5.688	4.438
MS3408DJ 44BXX	MS3406D -44-XX	M85049/9 -33W	1.375	1.000	2.750-16 UN	2.969	2.363	4.438	5.688	4.438
MS3408DJ 44DXX	MS3406D -44-XX	M85049/9 -68W	1.625	1.250	2.750-16 UN	2.969	2.770	4.688	5.812	4.438
MS3408DJ 44EXX	MS3406D -44-XX	M85049/9 -34W	1.840	1.437	2.750-16 UN	2.969	3.020	4.375	5.938	4.438
MS3408DJ 44FXX	MS3406D -44-XX	M85049/9 -32W	.937	.625	2.750-16 UN	2.969	1.770	4.062	5.688	4.438
MS3408DJ 48AXX	MS3406D -48-XX	M85049/9 -69W	1.250	.875	3.000-16 UN	3.219	2.113	4.312	5.688	4.438
MS3408DJ 48BXX	MS3406D -48-XX	M85049/9 -36W	1.375	1.000	3.000-16 UN	3.219	2.363	4.438	5.688	4.438
MS3408DJ 48DXX	MS3406D -48-XX	M85049/9 -70W	1.625	1.250	3.000-16 UN	3.219	2.770	4.688	5.812	4.438
MS3408DJ 48EXX	MS3406D -48-XX	M85049/9 -37W	1.840	1.437	3.000-16 UN	3.219	3.020	4.375	5.938	4.438

\* ADD .375 WHEN CONTACT ARRANGEMENT INCLUDES SIZE 8, 4 AND 0 CONTACTS.



# MS3409DJ

## 45 BACKSHELL ASSEMBLY



ASSEMBLY NO.	CONNECTOR RECEPTACLE NO.	BACKSHELL ASSEMBLY NO.	A CABLE ENTRY		B THREAD CLASS 2B	C MAX.	E MAX.	H MAX.	L* MAX.	Q MAX.
			MAX.	MIN.						
MS3409DJ 10AXX	MS3406D-10S-XX	M85049/7-04W	.312	.125	.625-24 UNEF	.969	.957	3.062	4.875	2.438
MS3409DJ 10BXX	MS3406D-10S-XX	M85049/7-49W	.437	.250	.625-24 UNEF	.969	1.145	3.062	5.812	3.250
MS3409DJ 10DXX	MS3406D-10S-XX	M85049/7-05W	.375	.250	.625-24 UNEF	.969	1.145	2.438	4.562	2.438
MS3409DJ 11AXX	MS3406D-10SL-XX	M85049/7-04W	.312	.125	.625-24 UNEF	.969	.957	3.062	4.875	2.438
MS3409DJ 11BXX	MS3406D-10SL-XX	M85049/7-49W	.437	.250	.625-24 UNEF	.969	1.145	3.062	5.812	3.250
MS3409DJ 11DXX	MS3406D-10SL-XX	M85049/7-05W	.375	.250	.625-24 UNEF	.969	1.145	2.438	4.562	2.438
MS3409DJ 12AXX	MS3406D-12-XX	M85049/7-06W	.312	.125	.750-20 UNEF	1.062	.957	3.062	5.000	2.500
MS3409DJ 12BXX	MS3406D-12-XX	M85049/7-71W	.625	.350	.750-20 UNEF	1.062	1.332	2.938	6.188	3.375
MS3409DJ 12DXX	MS3406D-12-XX	M85049/7-08W	.500	.350	.750-20 UNEF	1.062	1.332	3.062	5.125	2.500
MS3409DJ 12EXX	MS3406D-12-XX	M85049/7-07W	.437	.250	.750-20 UNEF	1.062	1.145	3.062	5.062	2.500
MS3409DJ 13AXX	MS3406D-12S-XX	M85049/7-06W	.312	.125	.750-20 UNEF	1.062	.957	3.062	5.000	2.500

\* ADD .375 WHEN CONTACT ARRANGEMENT INCLUDES SIZE 8, 4 AND 0 CONTACTS.



## MS3409DJ

ASSEMBLY NO.	CONNECTOR RECEPTACLE NO.	BACKSHELL ASSEMBLY NO.	A CABLE ENTRY		B THREAD CLASS 2B	C MAX.	E MAX.	H MAX.	L * MAX.	Q MAX.
			MAX.	MIN.						
MS3409DJ 13BXX	MS3406D-12S-XX	M85049/7-71W	.625	.350	.750-20 UNEF	1.062	1.332	2.938	6.188	3.375
MS3409DJ 13DXX	MS3406D-12S-XX	M85049/7-08W	.500	.350	.750-20 UNEF	1.062	1.332	3.062	5.125	2.500
MS3409DJ 13EXX	MS3406D-12S-XX	M85049/7-07W	.437	.250	.750-20 UNEF	1.062	1.145	3.062	5.062	2.500
MS3409DJ 14AXX	MS3406D-14-XX	M85049/7-09W	.437	.250	.875-20 UNEF	1.156	1.145	3.188	5.188	2.562
MS3409DJ 14BXX	MS3406D-14-XX	M85049/7-50W	.750	.500	.875-20 UNEF	1.156	1.551	3.500	6.625	3.625
MS3409DJ 14DXX	MS3406D-14-XX	M85049/7-10W	.575	.350	.875-20 UNEF	1.156	1.332	2.812	5.000	2.562
MS3409DJ 14EXX	MS3406D-14-XX	M85049/7-74W	.312	.125	.875-20 UNEF	1.156	.957	3.188	5.125	2.562
MS3409DJ 15AXX	MS3406D-14S-XX	M85049/7-09W	.437	.250	.875-20 UNEF	1.156	1.145	3.188	5.188	2.562
MS3409DJ 15BXX	MS3406D-14S-XX	M85049/7-50W	.750	.500	.875-20 UNEF	1.156	1.551	3.500	6.625	3.625
MS3409DJ 15DXX	MS3406D-14S-XX	M85049/7-10W	.575	.350	.875-20 UNEF	1.156	1.332	2.812	5.000	2.562
MS3409DJ 15EXX	MS3406D-14S-XX	M85049/7-74W	.312	.125	.875-20 UNEF	1.156	.957	3.188	5.125	2.562
MS3409DJ 16AXX	MS3406D-16-XX	M85049/7-12W	.700	.500	1.000-20 UNEF	1.250	1.551	2.938	5.312	2.625
MS3409DJ 16BXX	MS3406D-16-XX	M85049/7-51W	.937	.625	1.000-20 UNEF	1.250	1.770	3.750	6.938	3.688
MS3409DJ 16DXX	MS3406D-16-XX	M85049/7-11W	.437	.250	1.000-20 UNEF	1.250	1.145	3.312	5.375	2.625
MS3409DJ 16EXX	MS3406D-16-XX	M85049/7-40W	.625	.350	1.000-20 UNEF	1.250	1.332	3.312	5.438	2.625
MS3409DJ 17AAX	MS3406D-16S-XX	M85049/7-12W	.700	.500	1.000-20 UNEF	1.250	1.551	2.938	5.312	2.625
MS3409DJ 17BXX	MS3406D-16S-XX	M85049/7-51W	.937	.625	1.000-20 UNEF	1.250	1.770	3.750	6.938	3.688
MS3409DJ 17DXX	MS3406D-16S-XX	M85049/7-11W	.437	.250	1.000-20 UNEF	1.250	1.145	3.312	5.375	2.625
MS3409DJ 17EXX	MS3406D-16S-XX	M85049/7-40W	.625	.350	1.000-20 UNEF	1.250	1.332	3.312	5.438	2.625
MS3409DJ 18AAX	MS3406D-18-XX	M85049/7-13W	.625	.350	1.125-18 UNEF	1.344	1.332	3.500	5.750	2.812
MS3409DJ 18BXX	MS3406D-18-XX	M85049/7-52W	.750	.500	1.125-18 UNEF	1.344	1.551	3.500	5.875	2.812
MS3409DJ 18EXX	MS3406D-18-XX	M85049/7-41W	.312	.125	1.125-18 UNEF	1.344	.957	3.500	5.625	2.812
MS3409DJ 18FXX	MS3406D-18-XX	M85049/7-42W	.437	.250	1.125-18 UNEF	1.344	1.145	3.500	5.688	2.812
MS3409DJ 20AAX	MS3406D-20-XX	M85049/7-15W	.625	.350	1.250-18 UNEF	1.469	1.332	3.500	5.750	2.812
MS3409DJ 20BXX	MS3406D-20-XX	M85049/7-54W	.750	.500	1.250-18 UNEF	1.469	1.551	3.500	5.875	2.812
MS3409DJ 20EXX	MS3406D-20-XX	M85049/7-55W	1.250	.875	1.250-18 UNEF	1.469	2.113	4.000	7.375	2.812
MS3409DJ 20FXX	MS3406D-20-XX	M85049/7-43W	.437	.250	1.250-18 UNEF	1.469	1.145	3.500	5.688	2.812
MS3409DJ 20GXX	MS3406D-20-XX	M85049/7-16W	.904	.625	1.250-18 UNEF	1.469	1.770	3.250	5.750	2.812
MS3409DJ 22AAX	MS3406D-22-XX	M85049/7-56W	.625	.350	1.375-18 UNEF	1.594	1.332	3.625	5.938	2.938
MS3409DJ 22BXX	MS3406D-22-XX	M85049/7-17W	.750	.500	1.375-18 UNEF	1.594	1.551	3.688	6.062	2.938
MS3409DJ 22DXX	MS3406D-22-XX	M85049/7-57W	.937	.625	1.375-18 UNEF	1.594	1.770	3.750	6.188	2.938
MS3409DJ 22EXX	MS3406D-22-XX	M85049/7-58W	1.250	.875	1.375-18 UNEF	1.594	2.113	4.000	7.375	3.812
MS3409DJ 22FXX	MS3406D-22-XX	M85049/7-44W	.312	.125	1.375-18 UNEF	1.594	.957	3.625	5.812	2.938
MS3409DJ 22GXX	MS3406D-22-XX	M85049/7-45W	.437	.250	1.375-18 UNEF	1.594	1.145	3.625	5.875	2.938

\* ADD .375 WHEN CONTACT ARRANGEMENT INCLUDES SIZE 8, 4 AND 0 CONTACTS.





## MS3409DJ

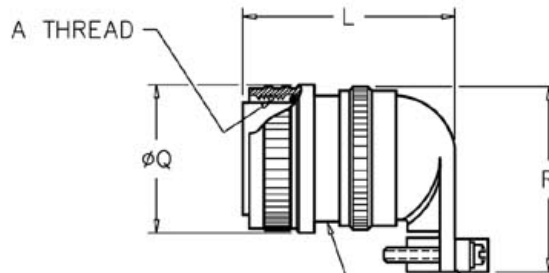
ASSEMBLY NO.	CONNECTOR RECEPTACLE NO.	BACKSHELL ASSEMBLY NO.	A CABLE ENTRY		B THREAD CLASS 2B	C MAX.	E MAX.	H MAX.	L * MAX.	Q MAX.
			MAX.	MIN.						
MS3409DJ 22HXX	MS3406D -22-XX	M85049/7 -18W	1.029	.875	1.375-18 UNEF	1.594	2.113	3.625	6.250	2.938
MS3409DJ 24AXX	MS3406D -24-XX	M85049/7 -19W	.750	.500	1.500-18 UNEF	1.719	1.551	3.688	6.062	2.938
MS3409DJ 24DXX	MS3406D -24-XX	M85049/7 -59W	.937	.625	1.500-18 UNEF	1.719	1.770	3.750	6.188	2.938
MS3409DJ 24EXX	MS3406D -24-XX	M85049/7 -73W	1.250	.875	1.500-18 UNEF	1.719	2.113	4.000	7.375	3.812
MS3409DJ 24FXX	MS3406D -24-XX	M85049/7 -46W	.625	.350	1.500-18 UNEF	1.719	1.332	3.625	5.938	2.938
MS3409DJ 24GXX	MS3406D -24-XX	M85049/7 -20W	1.144	.875	1.500-18 UNEF	1.719	2.113	3.625	6.250	2.938
MS3409DJ 28AXX	MS3406D -28-XX	M85049/7 -60W	.750	.500	1.750-18 UNS	1.969	1.551	3.688	6.250	3.062
MS3409DJ 28BXX	MS3406D -28-XX	M85049/7 -21W	.937	.625	1.750-18 UNS	1.969	1.770	3.812	6.375	3.062
MS3409DJ 28DXX	MS3406D -28-XX	M85049/7 -61W	1.250	.875	1.750-18 UNS	1.969	2.113	4.000	6.625	3.062
MS3409DJ 28EXX	MS3406D -28-XX	M85049/7 -22W	1.375	1.000	1.750-18 UNS	1.969	2.363	3.812	6.562	3.062
MS3409DJ 32AXX	MS3406D -32-XX	M85049/7 -23W	.937	.625	2.000-18 UNS	2.219	1.770	3.938	6.500	3.125
MS3409DJ 32BXX	MS3406D -32-XX	M85049/7 -24W	1.250	.875	2.000-18 UNS	2.219	2.113	4.125	6.750	3.125
MS3409DJ 32DXX	MS3406D -32-XX	M85049/7 -62W	1.375	1.000	2.000-18 UNS	2.219	2.363	4.250	6.938	3.125
MS3409DJ 32EXX	MS3406D -32-XX	M85049/7 -25W	1.625	1.250	2.000-18 UNS	2.219	2.770	4.188	7.062	3.125
MS3409DJ 36AXX	MS3406D -36-XX	M85049/7 -63W	1.250	.875	2.250-16 UN	2.469	2.113	4.250	6.875	3.125
MS3409DJ 36BXX	MS3406D -36-XX	M85049/7 -27W	1.375	1.000	2.250-16 UN	2.469	2.363	4.375	7.062	3.125
MS3409DJ 36DXX	MS3406D -36-XX	M85049/7 -64W	1.625	1.250	2.250-16 UN	2.469	2.770	4.625	7.375	3.125
MS3409DJ 36EXX	MS3406D -36-XX	M85049/7 -28W	1.840	1.437	2.250-16 UN	2.469	3.020	4.312	7.250	3.125
MS3409DJ 36FXX	MS3406D -36-XX	M85049/7 -47W	.750	.500	2.250-16 UN	2.469	1.551	3.875	6.438	3.125
MS3409DJ 36GXX	MS3406D -36-XX	M85049/7 -26W	.937	.625	2.250-16 UN	2.469	1.770	4.000	6.625	3.125
MS3409DJ 40AXX	MS3406D -40-XX	M85049/7 -65W	1.250	.875	2.500-16 UN	2.719	2.113	4.250	7.625	3.875
MS3409DJ 40BXX	MS3406D -40-XX	M85049/7 -30W	1.375	1.000	2.500-16 UN	2.719	2.363	4.375	7.812	3.875
MS3409DJ 40DXX	MS3406D -40-XX	M85049/7 -66W	1.625	1.250	2.500-16 UN	2.719	2.770	4.625	8.125	3.875
MS3409DJ 40EXX	MS3406D -40-XX	M85049/7 -31W	1.840	1.437	2.500-16 UN	2.719	3.020	4.312	8.000	3.875
MS3409DJ 40FXX	MS3406D -40-XX	M85049/7 -48W	.750	.500	2.500-16 UN	2.719	1.551	3.875	7.188	3.125
MS3409DJ 44AXX	MS3406D -44-XX	M85049/7 -67W	1.250	.875	2.750-16 UN	2.969	2.113	4.250	7.625	3.875
MS3409DJ 44BXX	MS3406D -44-XX	M85049/7 -33W	1.375	1.000	2.750-16 UN	2.969	2.363	4.375	7.812	3.875
MS3409DJ 44DXX	MS3406D -44-XX	M85049/7 -68W	1.625	1.250	2.750-16 UN	2.969	2.770	4.625	8.125	3.875
MS3409DJ 44EXX	MS3406D -44-XX	M85049/7 -34W	1.840	1.437	2.750-16 UN	2.969	3.020	4.312	8.000	3.875
MS3409DJ 44FXX	MS3406D -44-XX	M85049/7 -32W	.937	.625	2.750-16 UN	2.969	1.770	4.000	7.375	3.875
MS3409DJ 48AXX	MS3406D -48-XX	M85049/7 -69W	1.250	.875	3.000-16 UN	3.219	2.113	4.250	7.625	3.875
MS3409DJ 48BXX	MS3406D -48-XX	M85049/7 -36W	1.375	1.000	3.000-16 UN	3.219	2.363	4.375	7.812	3.875
MS3409DJ 48DXX	MS3406D -48-XX	M85049/7 -70W	1.625	1.250	3.000-16 UN	3.219	2.770	4.625	8.125	3.875
MS3409DJ 48EXX	MS3406D -48-XX	M85049/7 -37W	1.840	1.437	3.000-16 UN	3.219	3.020	4.312	8.000	3.875

\* ADD .375 WHEN CONTACT ARRANGEMENT INCLUDES SIZE 6, 4 AND 0 CONTACTS.



# MS3408D

## 90 PLUG CABLE CLAMP ASSEMBLY



SHELL SIZE	A COUPLING THREAD CLASS 2B	ØQ MAX.	L MAX.		R MAX.
			CONTACT SIZE		
			16 & 12	8,4 & 0	
8S	1/2-28 UNEF	.844	2.495	-	1.230
10S	5/8-24 UNEF	.969	2.500	-	1.352
10SL	5/8-24 UNEF	.969	2.555	-	1.352
12S	3/4-20 UNEF	1.062	2.555	-	1.460
12	3/4-20 UNEF	1.062	2.625	-	1.460
14S	7/8-20 UNEF	1.156	2.615	-	1.570
14	7/8-20 UNEF	1.156	2.685	-	1.570
16S	1-20 UNEF	1.250	2.695	-	1.681
16	1-20 UNEF	1.250	2.765	3.165	1.681
18	1 1/8-18 UNEF	1.344	2.810	3.210	1.905
20	1 1/4-18 UNEF	1.469	2.875	3.275	2.031
22	1 3/8-18 UNEF	1.594	2.935	3.335	2.155
24	1 1/2-18 UNEF	1.719	2.995	3.395	2.280
28	1 3/4-18 UNS	1.969	3.160	3.560	2.619
32	2-18 UNS	2.219	3.250	3.650	2.969
36	2 1/4-16 UN	2.469	3.375	3.775	3.219
40	2 1/2-16 UN	2.719	3.510	3.910	3.469
44	2 3/4-16 UN	2.969	3.635	4.035	3.843
48	3-16 UN	3.219	3.760	4.160	4.093

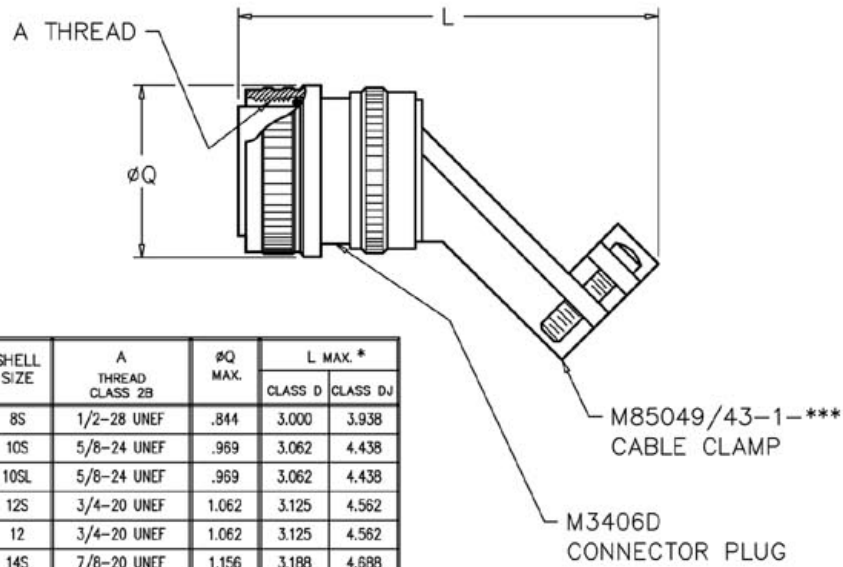
M85049/51-1-\*\*\*  
CABLE CLAMP

MS3406  
CONNECTOR PLUG



# MS3409D

## 45 PLUG CABLE CLAMP ASSEMBLY



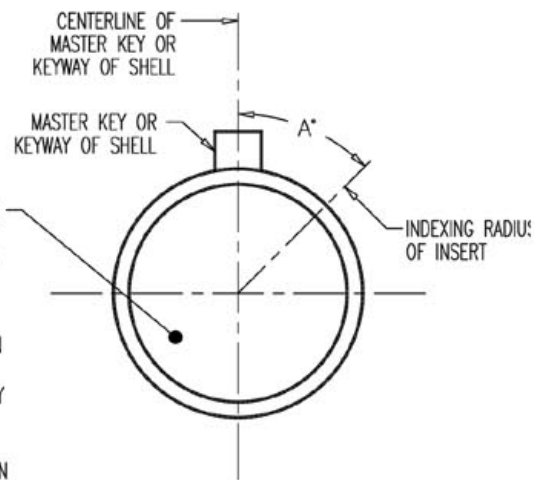
SHELL SIZE	A THREAD CLASS 2B	ØQ MAX.	L MAX. *	
			CLASS D	CLASS DJ
8S	1/2-28 UNEF	.844	3.000	3.938
10S	5/8-24 UNEF	.969	3.062	4.438
10SL	5/8-24 UNEF	.969	3.062	4.438
12S	3/4-20 UNEF	1.062	3.125	4.562
12	3/4-20 UNEF	1.062	3.125	4.562
14S	7/8-20 UNEF	1.156	3.188	4.688
14	7/8-20 UNEF	1.156	3.188	4.688
16S	1-20 UNEF	1.250	3.250	6.125
16	1-20 UNEF	1.250	3.250	6.125
18	1 1/8-18 UNEF	1.344	3.375	5.188
20	1 1/4-18 UNEF	1.469	3.438	5.188
22	1 3/8-18 UNEF	1.594	3.500	5.375
24	1 1/2-18 UNEF	1.719	3.500	5.375
28	1 3/4-18 UNS	1.969	3.625	5.625
32	2-18 UNS	2.219	3.750	5.938
36	2 1/4-16 UN	2.469	3.812	6.062
40	2 1/2-16 UN	2.719	3.812	6.812
44	2 3/4-16 UN	2.969	4.062	6.812
48	3-16 UN	3.219	4.125	6.812



## POLARIZATION

### NORMAL POSITION :

THE CENTERLINE OF THE FACE VIEW OF THE INSERT PATTERN ( SEE INSERT PATTERN LAYOUT CHART ) IS ALIGNED WITH THE SHELL KEY ON THE PLUG AND KEYWAY ON THE RECEPTACLE. THEREFORE, ANGLE A ON THE OPPOSITE DRAWING WOULD BE AT ZERO DEGREES.



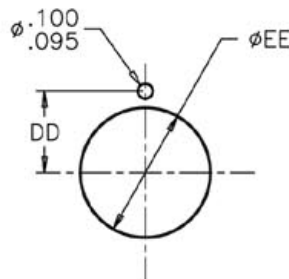
### ALTERNATE POSITIONS :

THE CENTERLINE OF THE FACE VIEW OF THE INSERT PATTERN ( SEE INSERT PATTERN LAYOUT CHART ) IS ROTATED IN RELATIONSHIP TO THE SHELL KEY ON THE PLUG AND KEYWAY ON THE RECEPTACLE. PIN INSERTS ARE ROTATED CLOCKWISE AND SOCKET INSERTS ARE ROTATED COUNTERCLOCKWISE. THEREFORE, A 12S-3 PIN INSERT LAYOUT IN THE W POSITION WOULD HAVE AN ANGLE A ( ON THE OPPOSITE DRAWING ) OF 70 DEGREES.

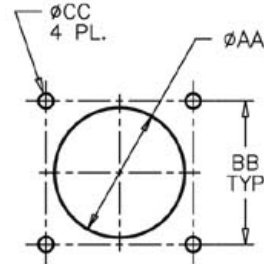


# PANEL MOUNTING DIMENSIONS FOR RECEPTACLE CONNECTORS

## MS3400, MS3402, MS3404, MS3412



MS3404  
( ALL CLASSES )



MS3400, MS3402, MS3412  
( ALL CLASSES )

SHELL SIZE	PANEL THICKNESS		MOUNTING DIMENSIONS				
	MS3404	MS3400 MS3402 MS3412 MAX.	$\phi AA$ $\pm .020$	BB $\pm .005$	$\phi CC$ $\begin{matrix} +.010 \\ -.005 \end{matrix}$ CLASS D,DSL,U,W CLASS K,SKT	DD $\pm .005$	$\phi EE$ $\begin{matrix} +.005 \\ -.010 \end{matrix}$
10S	.140/.090	.187	.655	.719	.120 .150	.385	.640
10SL	.140/.090	.187	.655	.719	.120 .150	.385	.640
12S	.140/.090	.187	.780	.812	.120 .150	.448	.765
12	.140/.090	.125	.780	.812	.120 .150	.448	.765
14S	.140/.090	.187	.905	.906	.120 .150	.510	.890
14	.140/.090	.125	.905	.906	.120 .150	.510	.890
16S	.140/.090	.187	1.030	.969	.120 .150	.573	1.015
16	.140/.090	.125	1.030	.969	.120 .150	.573	1.015
18	.140/.090	.125	1.155	1.062	.120 .177	.635	1.140
20	.140/.090	.125	1.280	1.156	.120 .177	.698	1.265
22	.140/.090	.125	1.405	1.250	.120 .177	.760	1.390
24	.140/.090	.187	1.530	1.375	.147 .177	.823	1.515
28	.140/.090	.187	1.780	1.562	.147 .177	.948	1.765
32	.140/.090	.250	2.030	1.750	.173 .209	1.073	2.015
36	.140/.110	.250	2.280	1.938	.173 .209	1.198	2.265
40	.140/.110	.250	2.530	2.188	.173 .209	1.323	2.515
44	.140/.110	.250	2.780	2.375	.173 .209	1.448	2.765
48	.140/.110	.250	3.030	2.625	.173 .209	1.573	3.015

DIMENSIONS SUBJECT TO CHANGE WITHOUT NOTICE. DIMENSIONS IN INCHES