

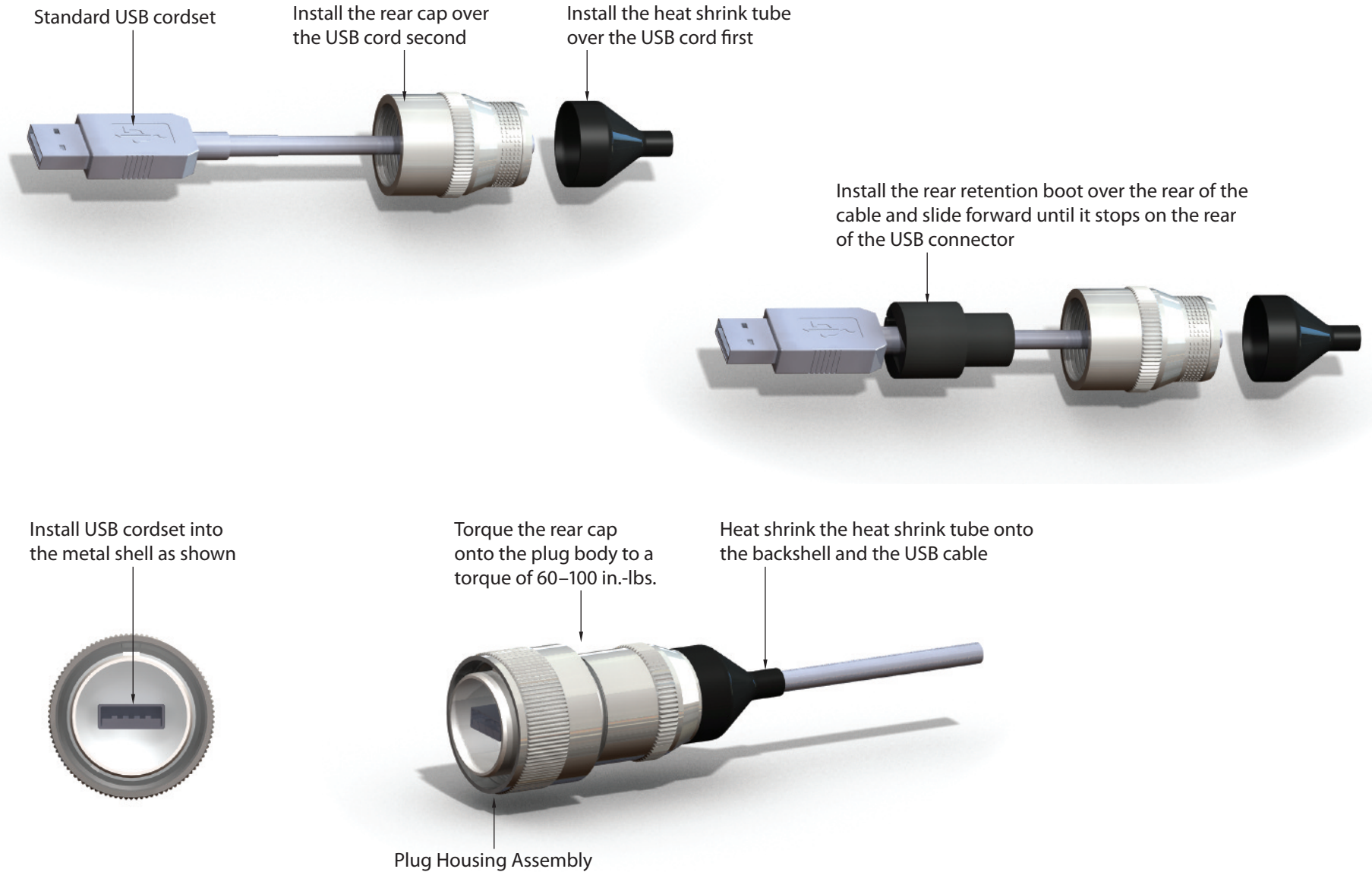
J-Tech USB Type A Connector Performance Compliance

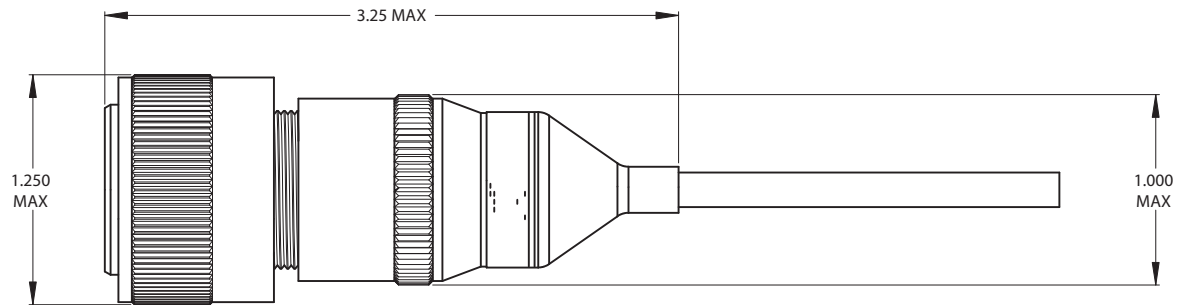
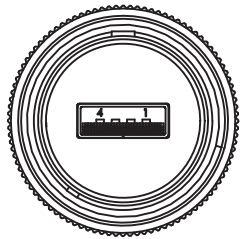
Test	Specification Paragraph Ref.	Description	Requirement
Temperature Cycling	EIA364.32	Per Method EIA364.32 of EIA-364, Condition A, except that steps 2 and 4 shall be of 2 minutes maximum duration. The temperature of step 1 shall be -40 C+0 C/-5 C and the temperature of step 3 shall be 85C +5 C/-0 C.	No evidence of breaking or electrical deterioration.
Durability	EIA364.09	Per Method EIA364.09. Mated and unmated 500 times to mating connector.	No electrical or mechanical defects affecting performance.
Insulation Resistance (IR)	EIA364.21	Per Method EIA364.21 of EIA-364. Measurements shall be between any pair of contacts and between any contact and the connector shell. The insulation resistance shall be 5000 M ohm minimum. IR after altitude immersion shall be 1000 M ohm minimum. IR after humidity shall be 100 M ohm minimum.	Equal to or greater than the minimum value in the table when tested at the specified voltage per the performance data table.
Insert Retention	EIA364.35	Per Method EIA364.35 of EIA-364	Inserts shall not be displaced or show evidence of damage.
Salt Spray (Corrosion)	EIA364.26	Per Method EIA364.26 of EIA-364, Condition B for Nickel Plating. Condition D for Olive Drab Cadmium Plating.	Shall show no exposure of base metal.
Vibration	EIA364.28	Per Method EIA364.28 of EIA-364, Condition VI Letter J, 8 hrs. longitudinal and perpendicular axis.	No evidence of deterioration of Attenuation or IR.
Shock	EIA364.27	Per Method EIA364.27 of EIA-364, Test Condition D.	No evidence of deterioration or IR.
Fluid Immersion	EIA364.10	Per Method EIA364.10 of EIA-364.	Shall meet requirements of IR. No mating issues to be present.
Sealing	IP67	Submerge mated connector to a depth of 1m for a period of 30 minutes.	Dust Proof, protected from water intrusion at a depth of 1m for a period of 30 minutes.
Cable Retention	EIA364.38	Per Method EIA364.38 of EIA-364. Apply 100N in the axial direction of the cable.	Cable shall show no evidence of damage detrimental to the function of the connector.

J-Tech USB Type A Performance Compliance

Test	Performance
USB Type A	USB Type A meets requirements of USB Revision 2.0
Operating Temperature	-40 C to +85 C
Thermal Cycling	-40 C to +85 C, 5 cycles
Temperature Life	+85 C for 1000 hrs.
Random Vibration	20 G rms
Shock (Half Sine)	40 G peak load
Mechanical Shock	MIL-S-901, Grade A, Type A, Class I Lightweight
Mating Durability	500 cycles
Salt Spray	48 hours for Nickel Plating. >1000 hrs for Cadmium Plating.
Cable Retention Force	Exceeds 100 N in the cable axis.
Sealing	IP67, 1m for a period of 30 minutes.



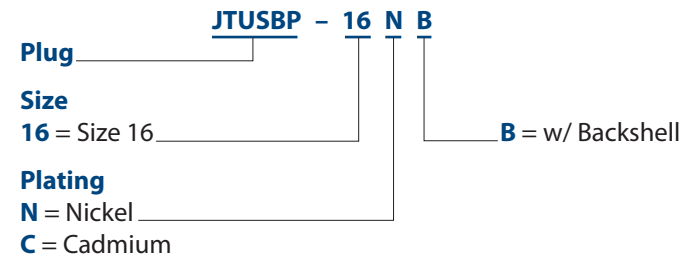




Notes

- 1. Plug interface conforms to MIL-C-83723, Series III, except as noted.
- 2. Material:
 - Hardware:** Aluminum Alloy
 - Plating:** Per P/N code
 - Sealing Gland:** Neoprene
 - Shrink Boot:** Polyolefin
 - Seals/O-rings:** Silicone Rubber

Part Number Development





Notes

Unless otherwise specified:

1. Receptacle interface conforms to MIL-C-83723, Series III, except as noted.

2. Material:

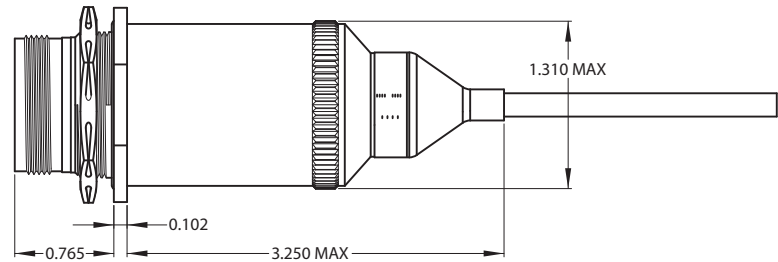
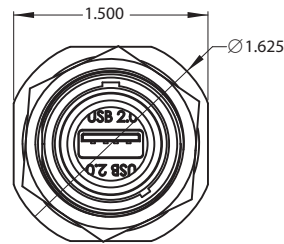
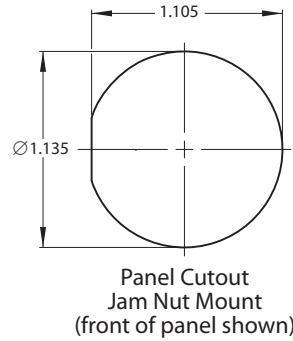
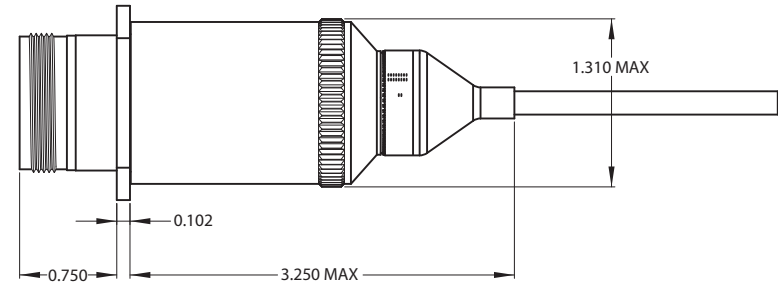
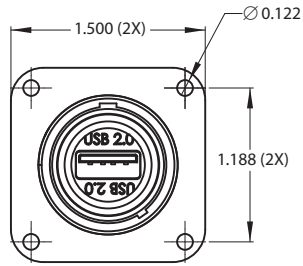
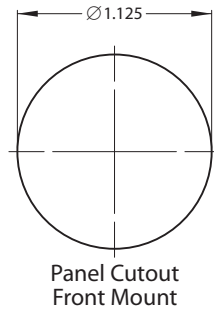
Hardware: Aluminum Alloy

Plating: Per P/N code

Sealing Gland: Neoprene

Shrink Boot: Polyolefin

Seals/O-rings: Silicone Rubber



Part Number Development

JTUSBR - 16 N F B

Receptacle

Size

16 = Size 16

Plating

N = Nickel

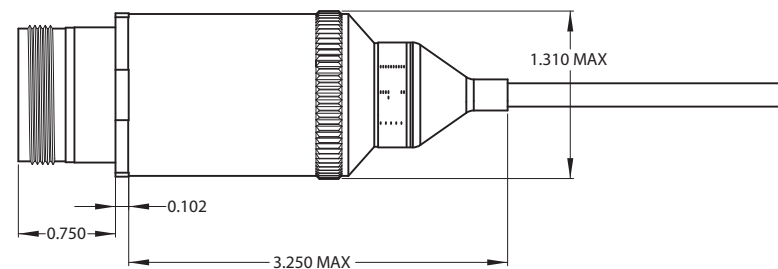
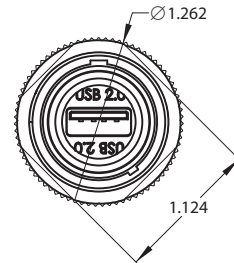
C = Cadmium

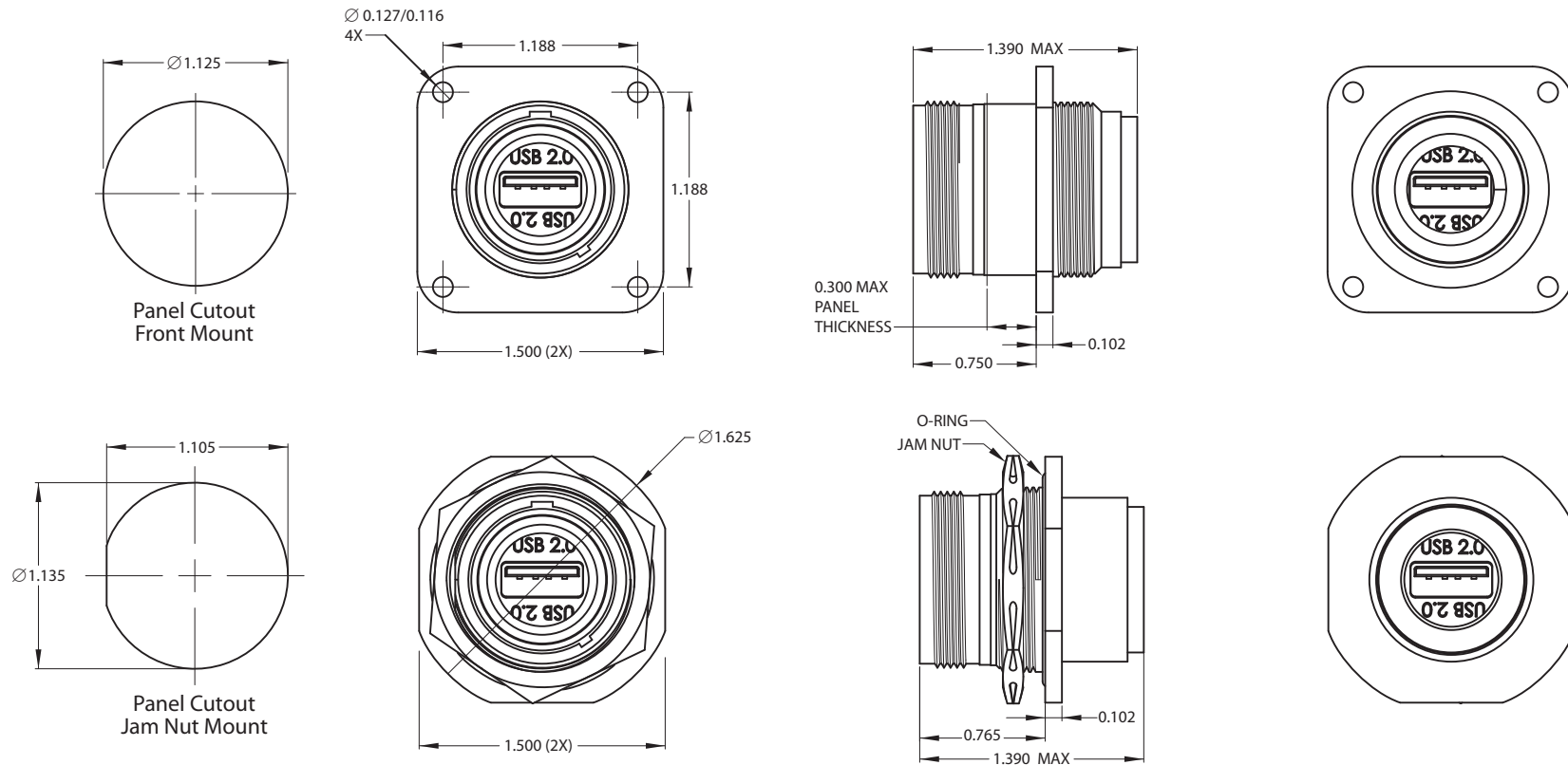
B = w/ Backshell

F = Flange Mount

J = Jam Nut

L = Inline





Notes

1. Receptacle interface conforms to MIL-C-83723, Series III.
2. Material:
Hardware: Aluminum Alloy
Plating: Per P/N code
Seals/O-rings: Silicone Rubber
3. Sealed dust caps available.

Part Number Development

